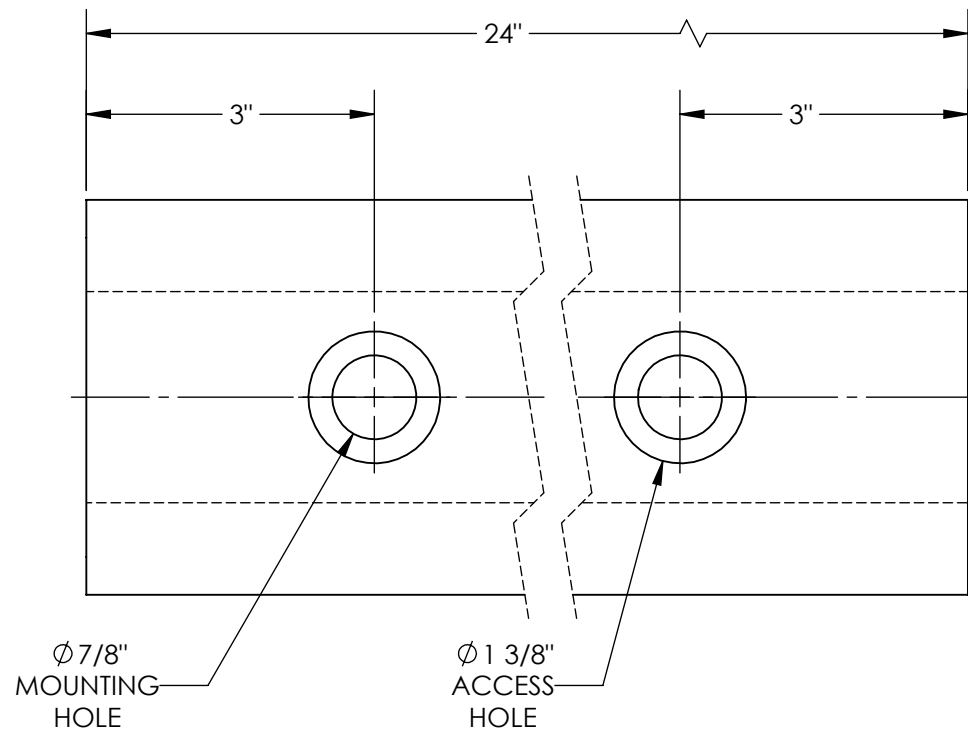
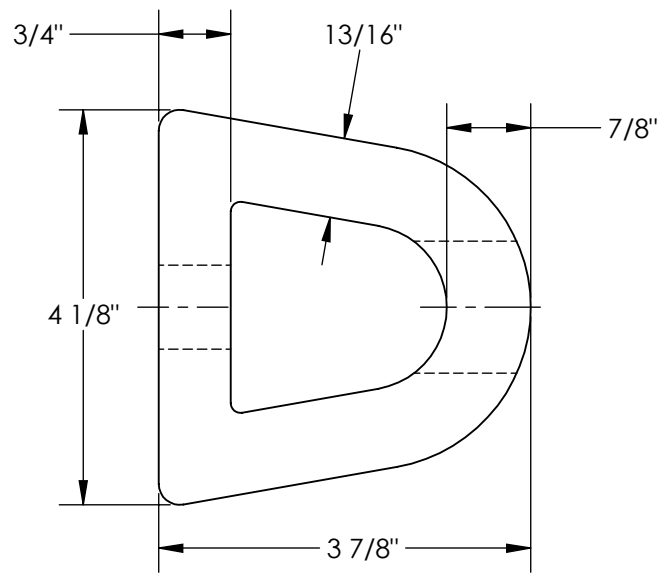


EXTRUDED RUBBER BUMPER - M-4-24

APPROX WEIGHT: 7.56 lbs.
 DOES NOT INCLUDE WEIGHT OF POWER OR PACKAGING!!!

*** ANY ADDITIONS, DELETIONS, OR OMISSIONS MUST BE CORRECTED ON THIS DRAWING AS THIS DRAWING WILL BE CONSIDERED ALL INCLUSIVE ***

ALL GRAPHICS PROVIDED ARE FOR REFERENCE ONLY. IF CERTAIN DIMENSIONS ARE CRITICAL PLEASE VERIFY THOSE DIMENSIONS WITH YOUR SALESPERSON



DIMENSION TOLERANCE ± 3/4"

STANDARD FEATURES

- MODEL NUMBER IS M-4-24
- OVERALL WIDTH IS 4 1/8"
- OVERALL LENGTH IS 24"
- OVERALL HEIGHT IS 3 7/8"
- NUMBER OF MOUNTING HOLES 2
- MOUNTING HOLE SIZE Ø 7/8"
- ACCESS HOLE SIZE Ø 1 3/8"
- WEIGHT 11LBS.
- (2)-REINFORCEMENT PLATES INCLUDED
- SIZE: 1 5/8" x 6"

SPECIAL FEATURES

NONE

| | | |
|----------|---|--|
| APPROVAL | I, THE UNDERSIGNED, AGREE THAT THE PRODUCT AS REPRESENTED SATISFIES DESIGN AND DIMENSION REQUIREMENTS. I ALSO ACKNOWLEDGE MY DUTY TO CONFIRM PRODUCT AND INSTALLATION COMPLIANCE WITH ALL APPLICABLE FEDERAL, STATE AND LOCAL REGULATIONS AND STANDARDS. ANY MODIFIED UNITS ARE NON-RETURNABLE [] As drawn [] As marked | |
| | Signed: _____ Date: _____ | |
| | Printed Name: _____ LEAD TIME WILL START UPON RECEIPT OF SIGNED APPROVAL DRAWING | |

| | |
|---|--|
| FOR INTERNAL USE ONLY PROJECT SIGN OFF | |
| SALES | |
| ENG. | |
| FAB. | |
| POWER | |

| | | |
|----------------------|----------|------------|
| DISTRIBUTOR'S NAME: | | P.O.# |
| VESTIL MANUFACTURING | | X |
| DRAWN BY: | DATE: | W.O.# |
| JWW | 04/25/19 | X |
| REFERENCE: | SCALE: | FILE NAME: |
| X | 1:2 | |
| QUOTED LEAD TIME: | QUOTE # | 29-007-076 |
| X | X | |