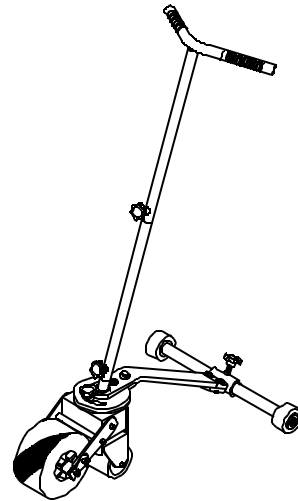
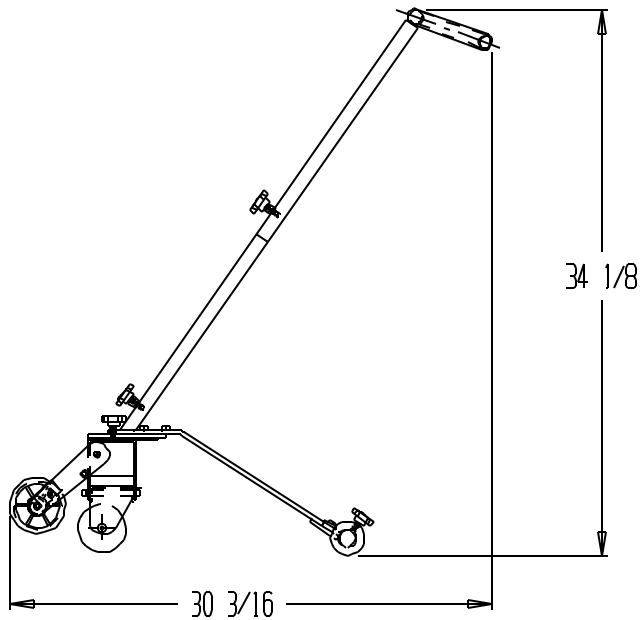
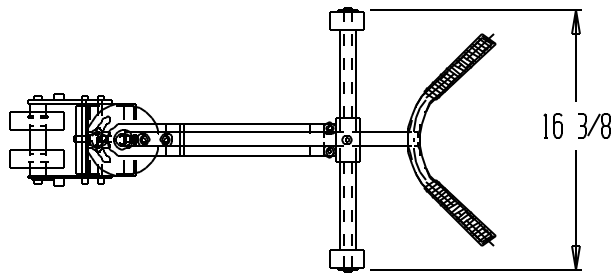


# *DELUXE FLOOR TAPE APPLICATOR TPA-20*



*SPECIAL FEATURES*  
NONE

PRODUCTION WILL START UPON  
RECEIPT OF SIGNED APPROVAL  
DRAWING

## *STANDARD FEATURES*

MODEL NUMBER: TPA-20  
 OVERALL WIDTH: 16 3/8"  
 OVERALL LENGTH: 30 3/16"  
 OVERALL HEIGHT: 34 1/8"  
 MAXIMUM ROLL DIAMETER: 6 1/2"  
 TAPE CORE DIMETER: 1", 1 1/4", 3"

\*\*SPECIAL UNITS ARE NON-RETURNABLE  
 \*AVAILABLE AT ADDITIONAL COSTS

## APPROVAL

I, the undersigned, hereby approve this print  
 As drawn       As marked  
 This includes my approval of design & dimensions.  
 Signed: \_\_\_\_\_  
 Date: \_\_\_\_\_

DISTRIBUTOR'S NAME: <b style="font-size: 1.2em;">T &amp; S EQUIPMENT</b>		P.O. #: -
DRAWN BY: P. ENGLISH      DATE: 6/21/99		W.O. #: -
REFERENCE: -		SALES: -
		DRWG./FILE NAME: 30-007-001