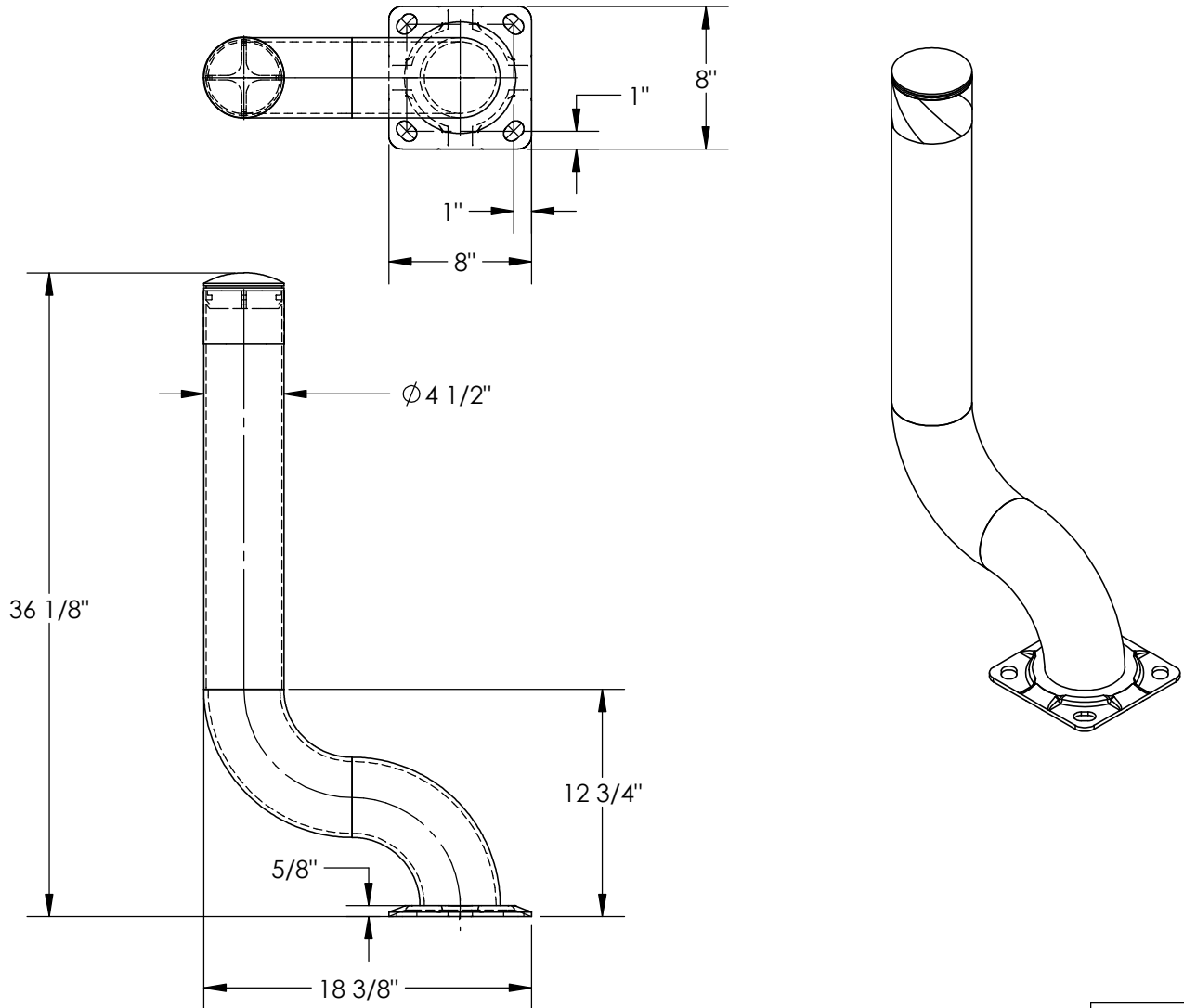


# OFFSET STEEL SAFETY BOLLARD - OBOL-35-4.5

APPROX WEIGHT: 33.53 lbs.  
DOES NOT INCLUDE WEIGHT OF POWER OR PACKAGING!!!

\*\*\*ANY ADDITIONS, DELETIONS, OR OMISSIONS MUST BE CORRECTED ON THIS DRAWING AS THIS DRAWING WILL BE CONSIDERED ALL INCLUSIVE\*\*\*



ALL GRAPHICS PROVIDED ARE FOR REFERENCE ONLY. IF CERTAIN DIMENSIONS ARE CRITICAL PLEASE VERIFY THOSE DIMENSIONS WITH YOUR SALESPERSON

FOR INTERNAL USE ONLY PROJECT SIGN OFF	
SALES	
ENG.	
FAB.	
POWER	

## STANDARD FEATURES

- MODEL NUMBER IS OBOL-35-4.5
- OVERALL WIDTH IS 8"
- OVERALL LENGTH IS 18 3/8"
- OVERALL HEIGHT IS 36 1/8"
- MACHINE GUARD PIPE DIA IS 4 1/2"
- LAG DOWN MOUNTING PLATE: 5/8" X 8" X 8"
- WITH MOUNTING SLOTS 7/8" X 1 1/4" (4 PLACES)
- FOR 3/4" DIA ANCHOR BOLTS (SOLD SEPARATELY)
- SAFETY BLACK AND YELLOW TAPE
- REMOVABLE PLASTIC CAP
- TOUGH BAKED IN POWDERCOATED YELLOW FINISH

## SPECIAL FEATURES

NONE

DIMENSION TOLERANCE ± 1/4"

<b>A P P R O V A L</b>	I, THE UNDERSIGNED, AGREE THAT THE PRODUCT AS REPRESENTED SATISFIES DESIGN AND DIMENSION REQUIREMENTS. I ALSO ACKNOWLEDGE MY DUTY TO CONFIRM PRODUCT AND INSTALLATION COMPLIANCE WITH ALL APPLICABLE FEDERAL, STATE AND LOCAL REGULATIONS AND STANDARDS.	
	<b>ANY MODIFIED UNITS ARE NON-RETURNABLE</b>	
	[ ] As drawn [ ] As marked	
	Signed: _____	Date: _____
Printed Name: _____		
<b>LEAD TIME WILL START UPON RECEIPT OF SIGNED APPROVAL DRAWING</b>		

DISTRIBUTOR'S NAME:		P.O.#
<b>VESTIL MANUFACTURING</b>		X
		W.O.#
DRAWN BY: KC		X
DATE: 8/19/15		SALES: X
REFERENCE: X	SCALE: 1:10	FILE NAME:
QUOTED LEAD TIME: X	QUOTE # X	44-007-049