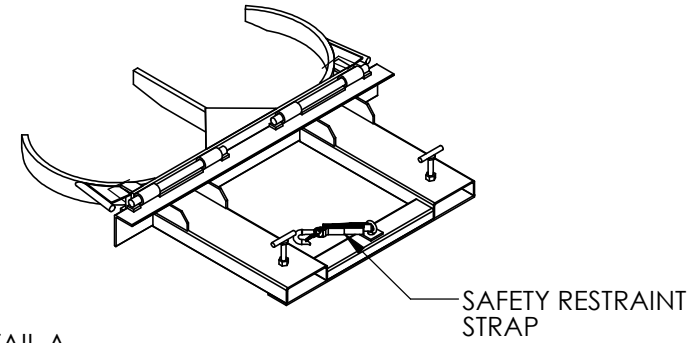
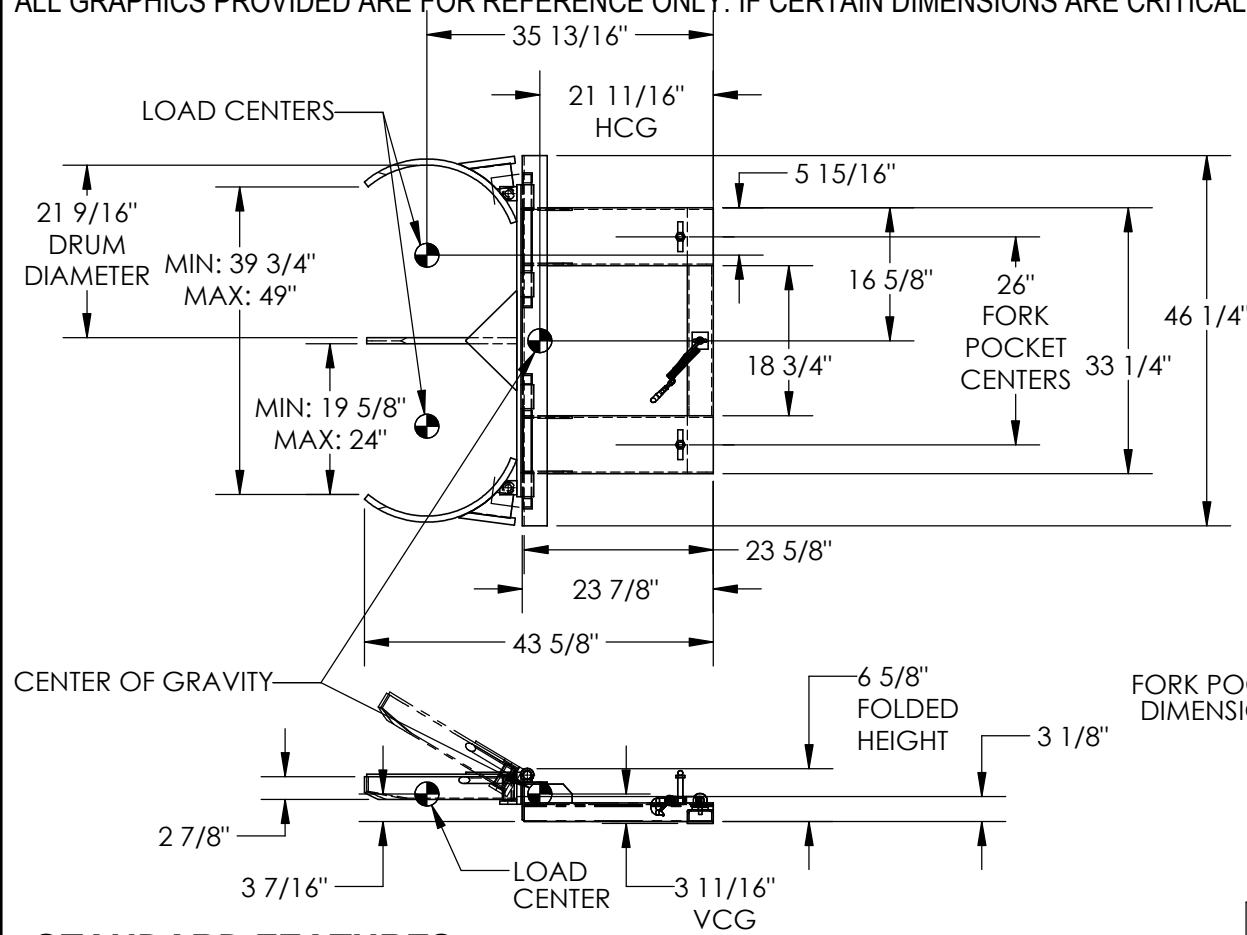


# DRUM GRIPPERS - DGD-55-D

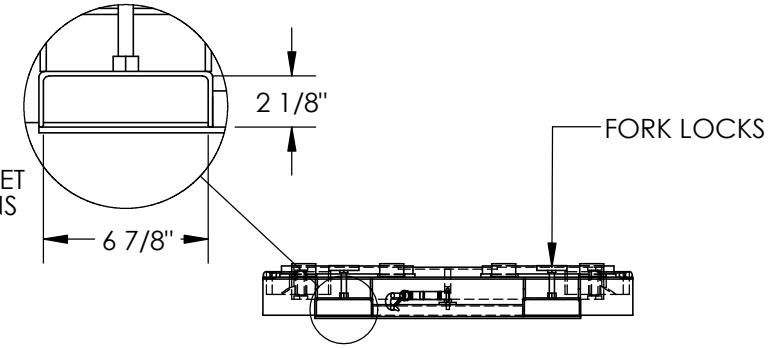
APPROX WEIGHT: 156.10 lbs.  
DOES NOT INCLUDE WEIGHT OF POWER OR PACKAGING!!!

\*\*\* ANY ADDITIONS, DELETIONS, OR OMISSIONS MUST BE CORRECTED ON THIS DRAWING AS THIS DRAWING WILL BE CONSIDERED ALL INCLUSIVE \*\*\*

ALL GRAPHICS PROVIDED ARE FOR REFERENCE ONLY. IF CERTAIN DIMENSIONS ARE CRITICAL PLEASE VERIFY THOSE DIMENSIONS WITH YOUR SALESPERSON



DETAIL A  
SCALE 1 : 8



DIMENSION TOLERANCE ± 1/2"

## STANDARD FEATURES

- MODEL NUMBER IS DGD-55-D
- OVERALL WIDTH IS 46 1/4"
- USABLE WIDTH MIN: 39 3/4"
- MAX: 49"
- OVERALL LENGTH IS 43 5/8"
- USABLE LENGTH IS 23 5/8"
- OVERALL FOLDED HEIGHT IS 9 3/8"
- MAX UNIFORM CAPACITY IS 2,000 LBS.
- FORK POCKET DIMENSIONS: 7 1/8" x 2 5/16" x 23 5/8"
- COLOR IS YELLOW
- (EFFECTIVE THICKNESS EQUALS THE TOTAL FORK LENGTH MINUS THE FORK TUBE LENGTH)

## SPECIAL FEATURES

NONE

**APPROVAL**

I, THE UNDERSIGNED, AGREE THAT THE PRODUCT AS REPRESENTED SATISFIES DESIGN AND DIMENSION REQUIREMENTS. I ALSO ACKNOWLEDGE MY DUTY TO CONFIRM PRODUCT AND INSTALLATION COMPLIANCE WITH ALL APPLICABLE FEDERAL, STATE AND LOCAL REGULATIONS AND STANDARDS.

**ANY MODIFIED UNITS ARE NON-RETURNABLE**

[ ] As drawn [ ] As marked

Signed: \_\_\_\_\_ Date: \_\_\_\_\_

Printed Name: \_\_\_\_\_

LEAD TIME WILL START UPON RECEIPT OF SIGNED APPROVAL DRAWING

FOR INTERNAL USE ONLY PROJECT SIGN OFF	
SALES	
ENG.	
FAB.	
POWER	

DISTRIBUTOR'S NAME:		P.O.#
VESTIL MANUFACTURING		X
DRAWN BY: KJY		DATE: 06/25/12
REFERENCE: X		SCALE: 1:24
QUOTED LEAD TIME: X		QUOTE # X
		W.O.# X
		SALES: X
		FILE NAME: 09-007-173