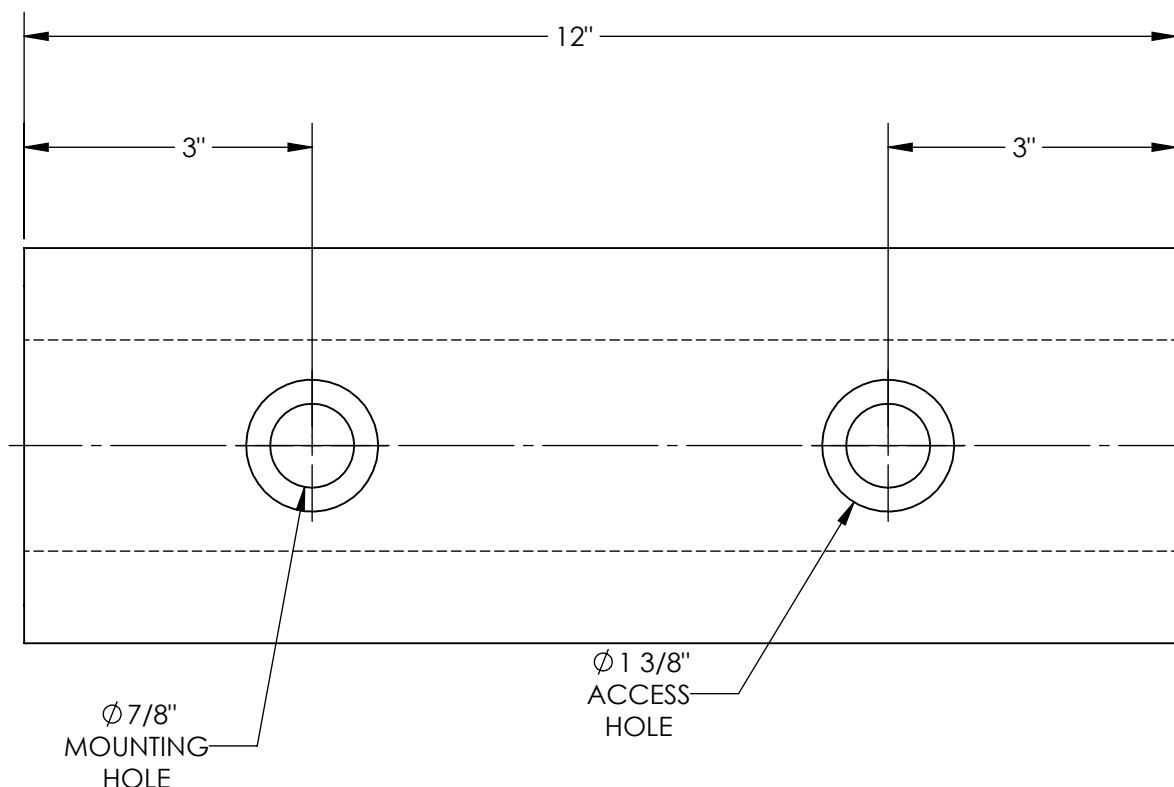
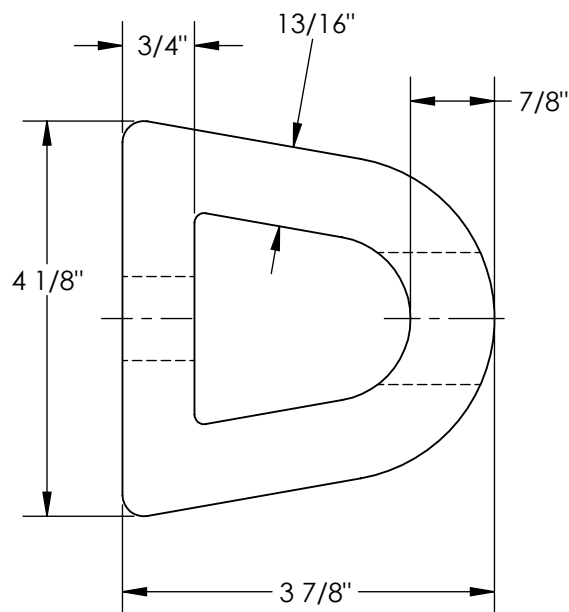


EXTRUDED RUBBER BUMPER - M-4-12

APPROX WEIGHT: 3.71 lbs.
 DOES NOT INCLUDE WEIGHT OF POWER OR PACKAGING!!!

*** ANY ADDITIONS, DELETIONS, OR OMISSIONS MUST BE CORRECTED ON THIS DRAWING AS THIS DRAWING WILL BE CONSIDERED ALL INCLUSIVE ***
 ALL GRAPHICS PROVIDED ARE FOR REFERENCE ONLY. IF CERTAIN DIMENSIONS ARE CRITICAL PLEASE VERIFY THOSE DIMENSIONS WITH YOUR SALESPERSON



DIMENSION TOLERANCE $\pm 3/4$ "

STANDARD FEATURES

SPECIAL FEATURES

- MODEL NUMBER IS M-4-12
- OVERALL WIDTH IS 4 1/8"
- OVERALL LENGTH IS 12"
- OVERALL PROJECTION 3 7/8"
- NUMBER OF MOUNT HOLES 2
- MOUNTING HOLE SIZE $\phi 7/8$ "
- ACCESS HOLE SIZE $\phi 1 3/8$ "
- WEIGHT 6 LBS.
- (2)-REINFORCEMENT PLATES INCLUDED
- SIZE: 1 5/8" x 6"

NONE

APPROVAL	I, THE UNDERSIGNED, AGREE THAT THE PRODUCT AS REPRESENTED SATISFIES DESIGN AND DIMENSION REQUIREMENTS. I ALSO ACKNOWLEDGE MY DUTY TO CONFIRM PRODUCT AND INSTALLATION COMPLIANCE WITH ALL APPLICABLE FEDERAL, STATE AND LOCAL REGULATIONS AND STANDARDS.	
	ANY MODIFIED UNITS ARE NON-RETURNABLE	
	[] As drawn [] As marked	
	Signed: _____ Date: _____	
Printed Name: _____		
LEAD TIME WILL START UPON RECEIPT OF SIGNED APPROVAL DRAWING		

FOR INTERNAL USE ONLY PROJECT SIGN OFF	
SALES	
ENG.	
FAB.	
POWER	

DISTRIBUTOR'S NAME:		P.O.#
VESTIL MANUFACTURING		X
		W.O.#
DRAWN BY: JWW		X
DATE: 04/25/19		SALES: X
REFERENCE: X	SCALE: 1:2	FILE NAME:
QUOTED LEAD TIME: X	QUOTE #	29-007-074
	X	