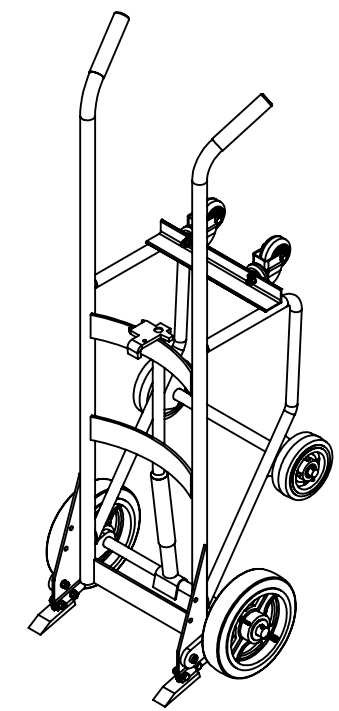
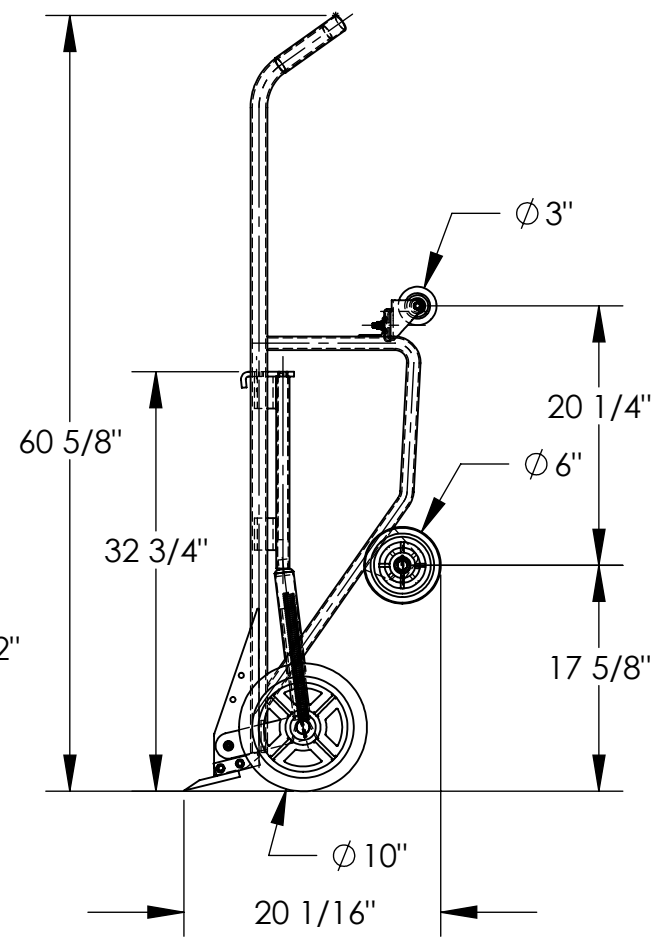
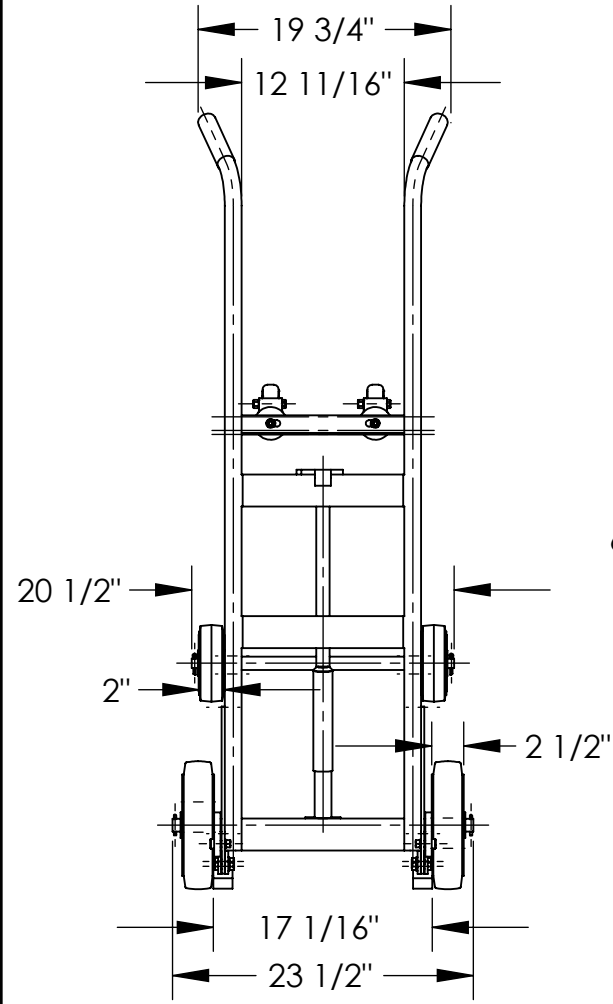


MULTI-PURPOSE DRUM TRUCK/CRADLE - RDBT-MR

APPROX WEIGHT: 118.73 lbs. DOES NOT INCLUDE WEIGHT OF POWER OR PACKAGING!!!

*** ANY ADDITIONS, DELETIONS, OR OMISSIONS MUST BE CORRECTED ON THIS DRAWING AS THIS DRAWING WILL BE CONSIDERED ALL INCLUSIVE ***
 ALL GRAPHICS PROVIDED ARE FOR REFERENCE ONLY. IF CERTAIN DIMENSIONS ARE CRITICAL PLEASE VERIFY THOSE DIMENSIONS WITH YOUR SALESPERSON



DIMENSIONAL TOL. +/- 1/4"

STANDARD FEATURES

MODEL NUMBER IS RDBT-MR
 CAPACITY IS 1,000 LBS.
 OVERALL WIDTH IS 23 1/2"
 USABLE WIDTH IS 17 1/16"
 OVERALL LENGTH IS 20 1/16"
 OVERALL HEIGHT IS 60 5/8"
 DRAIN HEIGHT IS 12 13/16"
 (2) Ø3" X 1 1/4" POLY SWIVEL, (2) Ø10" X 2 1/2" MOLD ON RUBBER
 (2) Ø6" X 2" POLY-ON-POLY
 USED WITH 55 GALLON DRUMS
 TOUGH BAKED IN POWDER COATED YELLOW FINISH

SPECIAL FEATURES

NONE

APPROVAL

I, THE UNDERSIGNED, AGREE THAT THE PRODUCT AS REPRESENTED SATISFIES DESIGN AND DIMENSION REQUIREMENTS. I ALSO ACKNOWLEDGE MY DUTY TO CONFIRM PRODUCT AND INSTALLATION COMPLIANCE WITH ALL APPLICABLE FEDERAL, STATE AND LOCAL REGULATIONS AND STANDARDS.
ANY MODIFIED UNITS ARE NON-RETURNABLE
 As drawn As marked

Signed: _____ Date: _____
 Printed Name: _____
LEAD TIME WILL START UPON RECEIPT OF SIGNED APPROVAL DRAWING

FOR INTERNAL USE ONLY PROJECT SIGN OFF	
SALES	
ENG.	
FAB.	
POWER	

DISTRIBUTOR'S NAME:		P.O.#
VESTIL MANUFACTURING		X
DRAWN BY: ND		W.O.#
DATE: 3/1/07		X
REFERENCE: X	SCALE: 1:15	SALES: X
QUOTED LEAD TIME: X	QUOTE #	FILE NAME:
	X	09-007-188