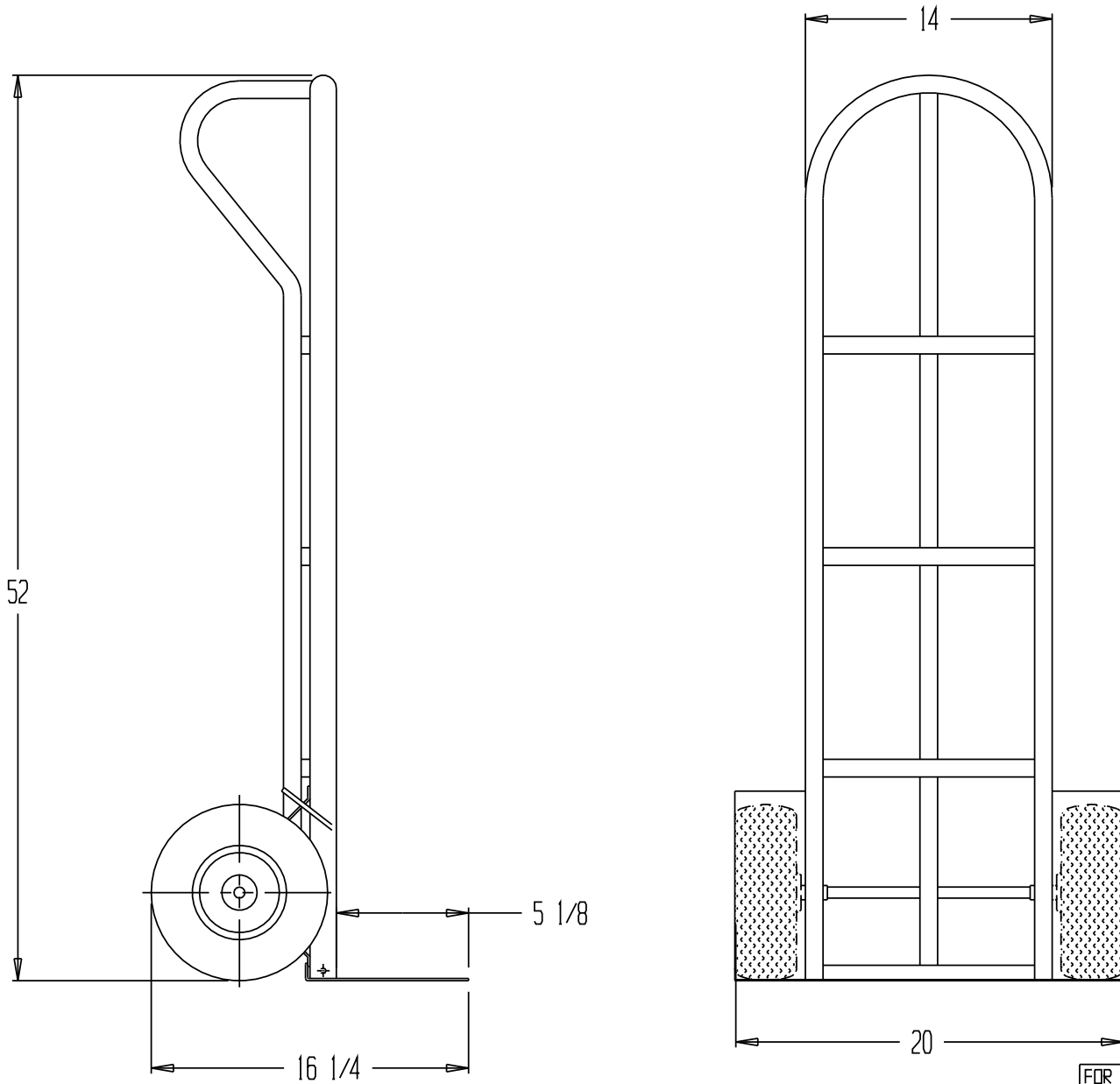


"P" HANDLE HAND TRUCK, SPHT-500S-HD-HR



*** ALL GRAPHICS PROVIDED ARE FOR REFERENCE ONLY. IF CERTAIN DIMENSIONS ARE CRITICAL PLEASE VERIFY THOSE DIMENSIONS WITH YOUR SALESPERSON. ***

DIMENSION TOLERANCE $\pm 1/2"$

FOR INTERNAL USE ONLY	
PROJECT SIGN OFF	
SALES	
ENG	
FAB.	
POWER	

STANDARD FEATURES

MODEL NUMBER: SPHT-500S-HD-HR
 CAPACITY: 600 LBS.
 NOSE PLATE: 20" W x 5 1/8" D
 OVERALL WIDTH: 20"
 OVERALL DEPTH: 16 1/4"
 OVERALL HEIGHT: 52"
 WHEELS: 10" x 2 1/2" HARD RUBBER

SPECIAL FEATURES

NONE

A P P R O V A L	I, THE UNDERSIGNED, AGREE THAT THE PRODUCT AS REPRESENTED SATISFIES DESIGN & DIMENSION REQUIREMENTS. I ALSO ACKNOWLEDGE MY DUTY TO CONFIRM PRODUCT & INSTALLATION COMPLIANCE WITH ALL APPLICABLE FEDERAL, STATE AND LOCAL REGULATIONS & STANDARDS.	
	ALL SPECIAL UNITS ARE NON-RETURNABLE	
	[] As drawn	[] As marked
	Signed: _____	Date: _____
LEAD TIME WILL START UPON RECEIPT OF SIGNED APPROVAL DRAWING		

Any additions, deletions or omissions must be corrected on this drawing, as this drawing will be considered all inclusive.

DISTRIBUTOR'S NAME: VESTIL MFG		P.O.#: -
DRAWN BY: SR		V.O.#: -
REFERENCE: -	DATE: 6/15/06	SALES: -
QUOTED LEADTIME: -	SCALE: 1:10	DRWG./FILE NAME: SPHT-500-HD-HR
QUOTE #: -		