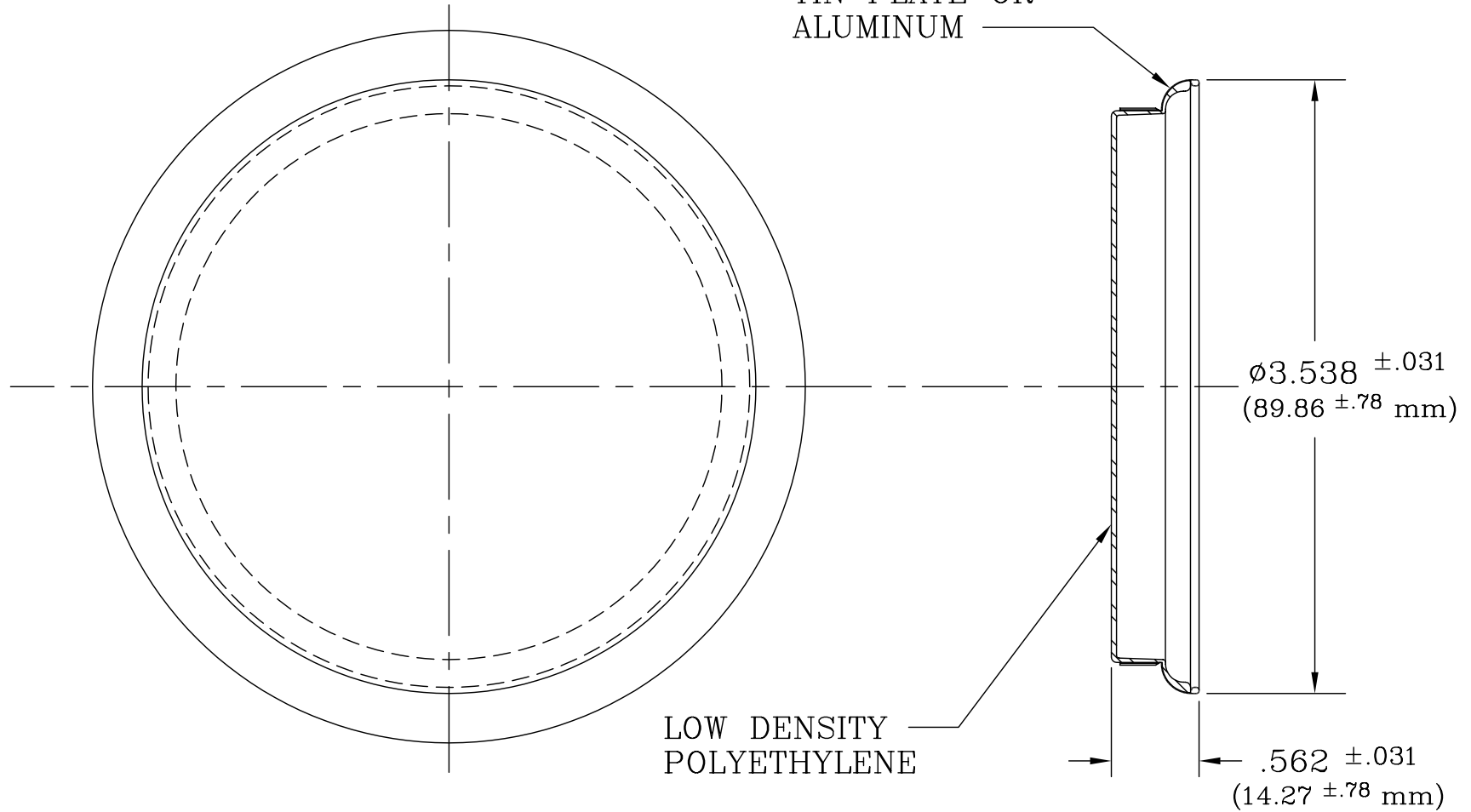


NOT A SHOP DRAWING



Rieke® Corporation — Auburn, Indiana

DETAIL NAME		2" SAFESEAL ASSEMBLY	
TOOL ASSY. NAME			
PRODUCT			TOOL ASS'Y NUMBER
DRAWING NUMBER 28000359			
FOR			DETAIL NUMBER
MATERIAL		TEMPER	

PX-3

BREAK ALL SHARP EDGES WITH 1/64" RADIUS, UNLESS OTHERWISE SPECIFIED	DATE	DRAWN BY					
	11/23/93	BNY					
THE FOLLOWING TOLERANCES APPLY UNLESS OTHERWISE SPECIFIED:	SCALE	CHECKED					
		GMB					
ANGLES	±1/4°	APPROVED	F	REDRAWN/ADDED METRIC DIM.	11/23/93	BNY	
HUNDRETH	±.015	JPZ	CHANGE NUMBER	CHANGE	DATE	BY	
THOUSANDTH	±.002						