

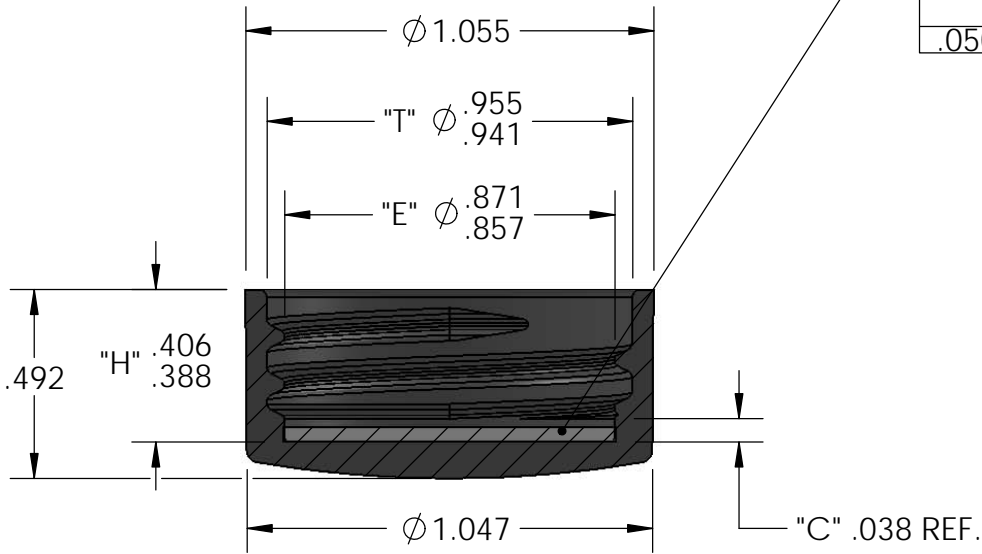
GLASS TYPE	EXPANSION	GLASS COLOR	OPEN END FINISH	THREADS PER INCH	BOTTOM
Type 1 Borosilicate		Amber	24-414	8	Flat



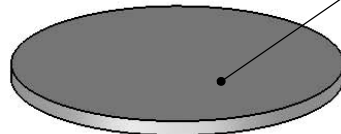
**PacificVial**  
MANUFACTURING INC  
323.721.7004  
323.721.3364 FAX

ITEM #: EA2895-2
EA2895-2B (432/ case) EA2895-2AP (72/ box)
SPECIAL NOTES:
DRAWING #: EA2895-2-A-2

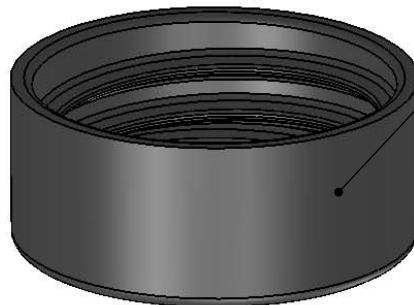
AVAILABLE LINERS
.035P / AF
.035P / VC-VL
.050 LDPE FOAM / .005 PTFE
.050 LDPE FOAM-3



SEE AVAILABLE LINERS



CS-24L-A 45124  
 24mm-400 FINISH-8 TPI  
 BLACK PHENOLIC &  
 GREEN UREA



**PROPRIETARY AND CONFIDENTIAL**  
 THE INFORMATION CONTAINED IN THIS DRAWING IS THE SOLE PROPERTY OF NATIONAL NOVELTY BRUSH CO. ANY REPRODUCTION IN PART OR AS A WHOLE WITHOUT THE WRITTEN PERMISSION OF NATIONAL NOVELTY BRUSH CO. IS PROHIBITED.

UNLESS OTHERWISE SPECIFIED:  
 DIMENSIONS ARE IN INCHES  
**TOLERANCES:**  
 FRACTIONAL  $\pm 1/16"$   
 ANGULAR  $\pm 2^\circ$   
 TWO PLACE DECIMAL  $\pm .02$   
 THREE PLACE DECIMAL  $\pm .010$

	NAME	DATE
DRAWN	SWC	12/2/2016
APPROVED	JME	12/12/2016

SCALE: 2:1

**NATIONAL NOVELTY BRUSH Co**  
**-DIV. MAUGUS MANUFACTURING-**  
 LANCASTER, PA. ESTABLISHED 1916

NNBC ITEM #45124