

APPENDIX A: MANUFACTURER'S CLOSURE INSTRUCTIONS

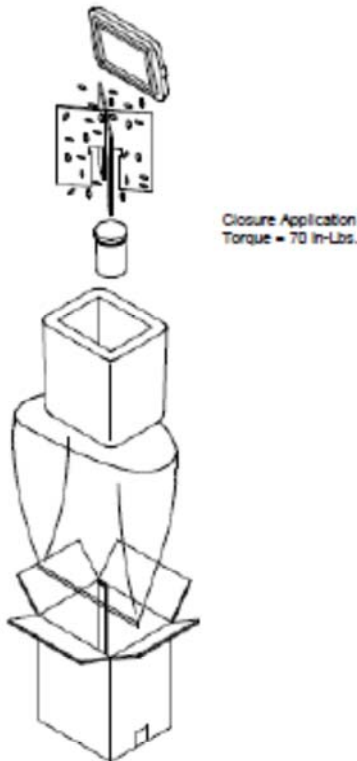
DANGEROUS
GOODS A DIVISION OF
 BERLIN PACKAGING

Catalog #
HMS-69110



4G Package

**One 20 oz HDPE Dry Ice Infectious Substance Packaging
 --with EPS Dry Ice--without Vials or Dry Ice
 4 Pack Master**



| Package Contents | |
|--|---|
| Item # | Item Descriptions |
| COR-H72961102 | Carton: 11" x 9" x 13 1/2" 200 Double Wall Corrugated – Kal White 4GU/Class 6.2/Yr 4G/X 8.5/S/Yr USA/AA1869 USA/AA4446 |
| COR-HE1961102 | Insert: 150# Single Wall Corrugated Die Cut |
| COR-JC1961102 | Master Carton: 23 1/8" x 19 1/2" x 12 15/16" 125# Single Wall Corrugated |
| CAP-002AA11PRTTBLS | Closure: 89-400 Phenolic Black Lined with F217 PE Foam |
| HMS-86911 | EPS Foam Cooler & Lid |
| HMS-8118P | 5" x 33" DW Polypropylene to hold vials into place. |
| HMS-36907 | 20 oz. Polyethylene Jar 89mm |
| HMS-8113A | 12" x 9" x 29" 2 Mil LDPE Open End Clear Bag |
| HMS-9605K | 2" x 18" 3M #375 Pressure Sensitive Closing Tape for Carton |
| HMS-9310C*, HMS-9310B* HMS-9311G*, HMS-9311B* | Misc. Hazard Class Label, Infectious Substance Label, Folding Instructions, UN3373 Biological Substance Category B Label |
| HMS-9310F*, HMS-9310G* | Small & Large Federal Express Airbills |
| HMS-8112S* | Open End Clear Bag—For Components |

*not shown

Transportation Mode: Contact Berlin Packaging when Shipment Is other than Ground Transportation.

Note: This package is certified for Class 6.2 Infectious Substance and is acceptable for Great Danger Hazardous Materials (gross mass not exceeding 8 kg), Packing Group I.

SEE www.BerlinPackaging.com/torque FOR APPLICATION TORQUE

Warning: It is the responsibility of each person offering a hazardous material for transportation to ensure that such packaging is compatible with their loading. Failure to heed this warning could result in a serious incident.

Pallet Quantity: 20 (in 4 /RN)

CLOSING INSTRUCTIONS FOR HMS-69110

1. CLOSE LID WITH 70 INCH POUNDS OF TORQUE.
2. PLACE VILES INTO BLANKET SO THERE IS NO VIAL TO VIAL CONTACT.
3. BLANKET IS 5" WIDE ROLLED UP AND PLACED INTO JAR.
4. CLOSE BAG, BUT DO NOT SEAL.
5. CLOSE CARTON WITH TAPE PROVIDED.

IMPORTANT INFORMATION:

THIS PACKAGE IS DESIGNED FOR 11 POUNDS OF PELLET DRY ICE. NAME AND TELEPHONE NUMBER OF PERSON RESPONSIBLE FOR SHIPMENT MUST BE MARKED ON THE OUTSIDE OF THIS PACKAGE. SHIPPERS USING DRY ICE MUST ICAO/IATA PACKING INSTRUCTIONS (904). PROPER SHIPPING NAME, UN IDENTIFICATION NUMBER AND WARNING LABEL(S) REQUIRED ON PACKAGE BEFORE TRANSPORTING. USE TAPE PROVIDED TO CLOSE CARTON. FAILURE TO USE PACKAGE AS SUPPLIED AND TESTED WILL INVALIDATE THE CERTIFICATION OF THIS PACKAGE.

FOR RECYCLING OF EPS
PHONE: 800-944-8448