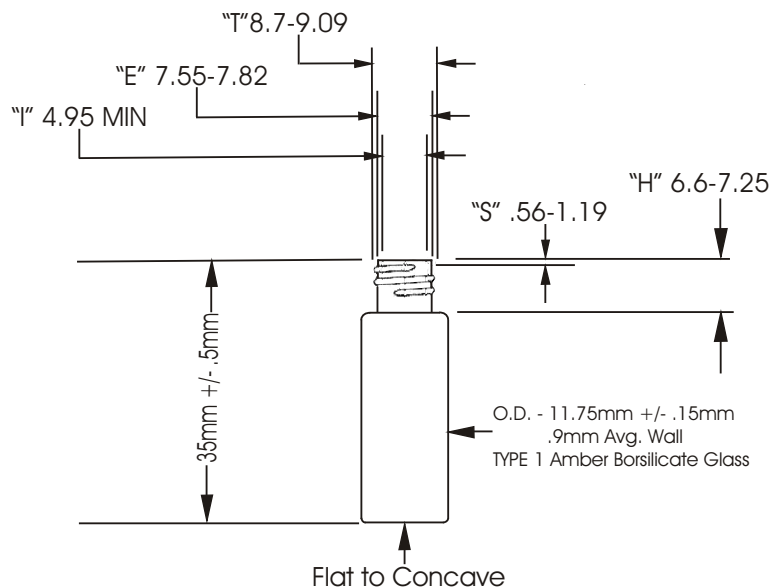
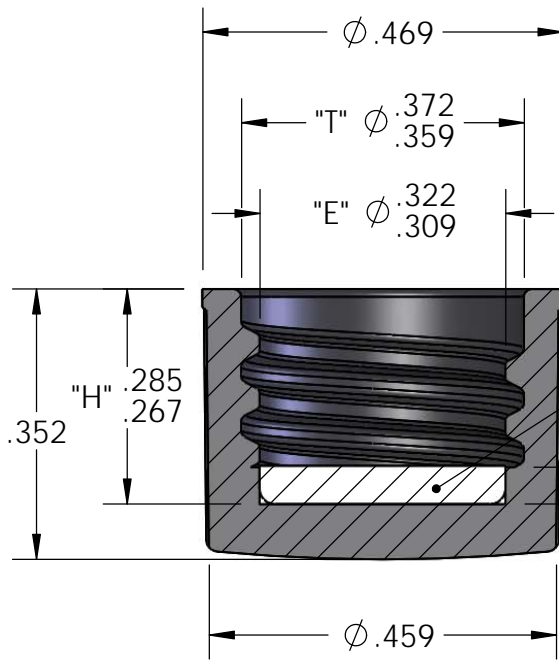


8-425 FINISH



GLA-05670

Glass Vials, Inc		
DESCRIPTION		
12mm x 35mm 8-425		
SCALE	SIZE	DATE
FULL	12x35	03/19/08
PART #		
V1235A		

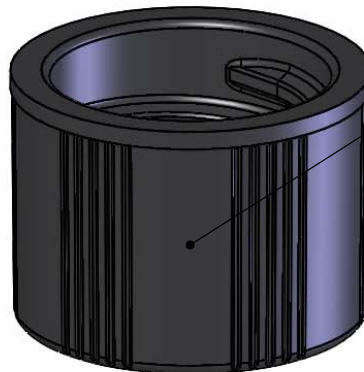
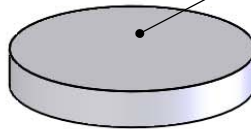


AVAILABLE LINERS
.035P / AF
.035P / VC-VL
.035P / VC-VL / WLF6
.040 F-217 / SF
.040 TRI FOIL WP
.050 14-B RUBBER
.050 14-B / .005 PTFE
.050 LDPE FOAM / .005 PTFE
.050 LDPE FOAM-3
LDPE FOAM / PTFE

SECTION A-A

"C" .048 REF.

SEE AVAILABLE LINERS



RS-8L-A 47108
 8mm-425 FINISH-14 TPI
 BLACK PHENOLIC &
 GREEN OR WHITE
 UREA

PROPRIETARY AND CONFIDENTIAL

THE INFORMATION CONTAINED IN THIS DRAWING IS THE SOLE PROPERTY OF NATIONAL NOVELTY BRUSH CO. ANY REPRODUCTION IN PART OR AS A WHOLE WITHOUT THE WRITTEN PERMISSION OF NATIONAL NOVELTY BRUSH CO. IS PROHIBITED.

UNLESS OTHERWISE SPECIFIED:

DIMENSIONS ARE IN INCHES
 TOLERANCES:
 FRACTIONAL ±1/16"
 ANGULAR ±2°
 TWO PLACE DECIMAL ±.02
 THREE PLACE DECIMAL ±.010

	NAME	DATE
DRAWN	SWC	11/29/2016
APPROVED	JME	12/12/2016

SCALE: 4:1



NNBC ITEM #47108