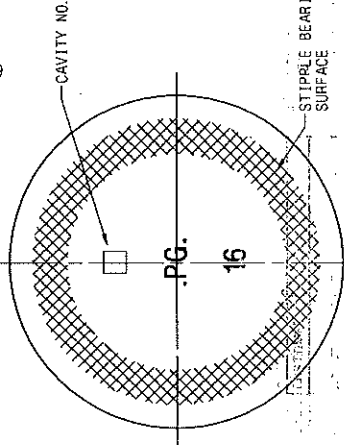
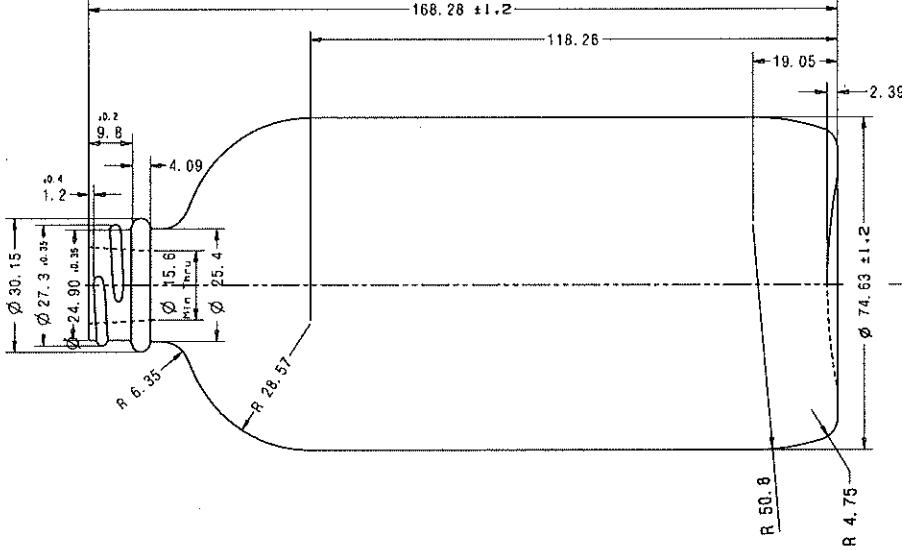


09L0134A-06
 KG1651C

DEPRESSED THD @ SEAM



| | |
|-----------|--|
| APPROVED: | |
| CUSTOMER: | |
| SIGN: | |
| NAME: | |
| DATE: | |

| | | |
|-------------------------------------------------------------------------------------------------------------------------------------------------------------------------------------------------|---------------------------------------------------|-------------------------------------------------------------------------------------------------------------------------|
| | WARE | 16 OZ BOSTON ROUND |
| | MRN | Y0134QRQQ |
| Piramal Tower Aumax, 6th Floor, Peninsula Corporate Park, Off Worli Road, Lower Parel (W), Mumbai - 400 013, INDIA Website: www.piramalglass.com Email: ppglass@piramalglass.com | UNIT | SCALE: |
| PG. WS. CC. 283 6x-4x2 283±5 REVISION DESCRIPTION | DATE | DATE |
| 22/05/17 AV/MSH 30/07/19 OJLP DATE REV. BY PVR | NTS III & FLINT FILLING CAP (mm) 493 ± 9 | THROUGH BORE (mm) 15.60 WEIGHT (g) 283 (APPX) NECK FINISH GP [-400-281MM-403] NR. REF. NO.: J-0718 |
| DRG. NO. J-0718 | DRG. NO. J-0718 | DRG. NO. J-0718 |

THIS DRAWING AND DESIGN IS THE PROPERTY OF PIRAMAL GLASS AND MUST NOT BE COPIED OR LENT WITHOUT THEIR PERMISSION IN WRITING