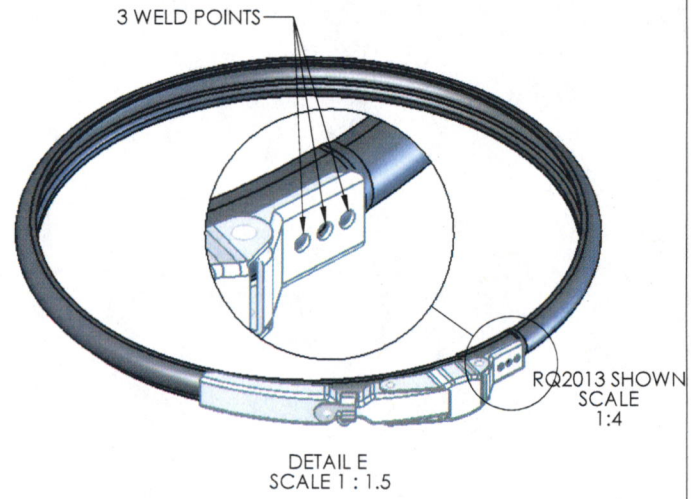
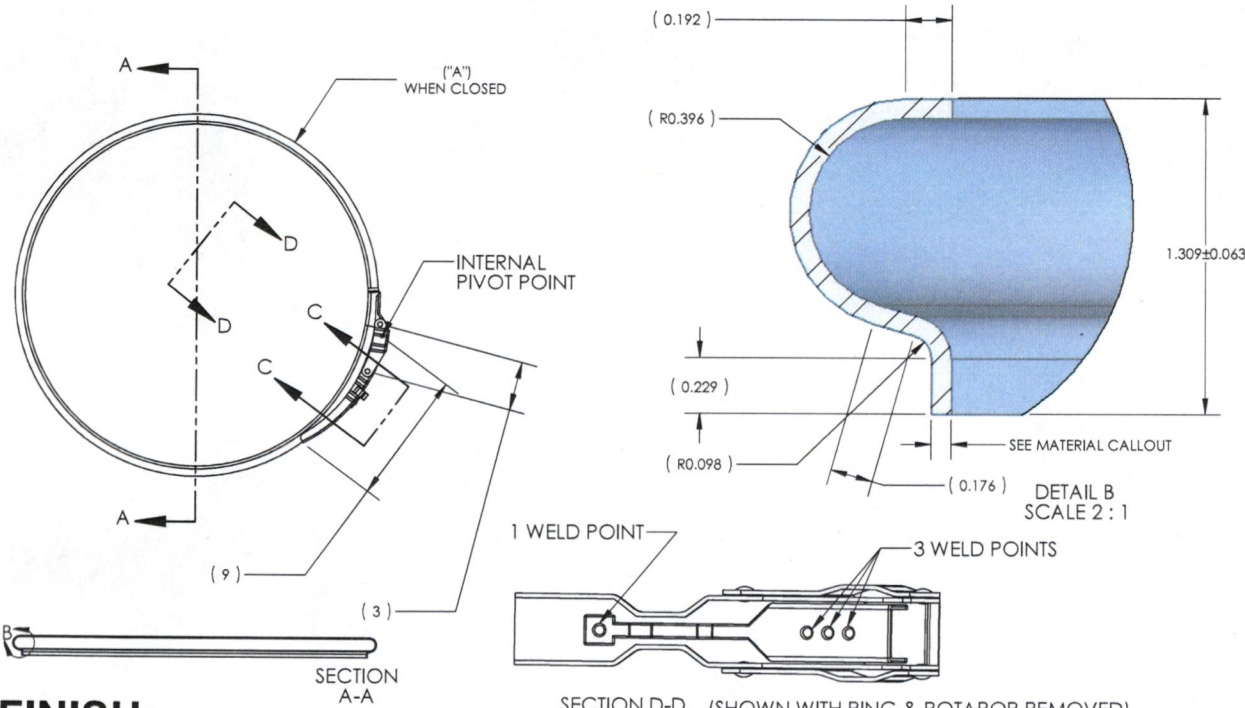


SEE CHART/RQ18-26



ECN # or INIT	REV	DESCRIPTION	DATE
	A	RELEASED	21-MAR-2007
LJT	A1	ADD'D (13 GAUGE)	26-MAR-2007
08-022	A2	RING WAS GALVANIZED	23-JUL-2008
LJT	A3	ADD'D MAT'L RANGE &	04-FEB-2009
LJT	A4	WAS 2 WELDS, NOW 3	31-JAN-2011
LJT	A5	ADDED TID HOLE $\Phi$ & ADDED TARE WEIGHT	02-DEC-2013
LJT	A6	ADDED TID HOLE CHART	04-DEC-2013

**FINISH:**

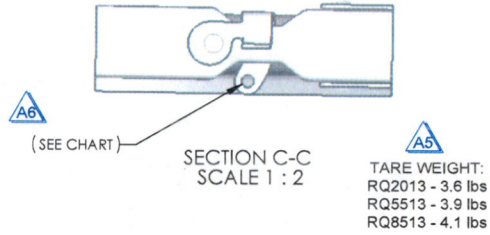
- RING & HANDLE
- POWDER COATED QUARRY GRAY per DUPONT RLH-617-S8, FILM THICKNESS: (1.8 - 2.2 MIL)

- HANDLE**
- ALL WELDS ARE RESISTANCE TYPE

**MAT'L:**

- CRS

TID HOLE CHART	
Ring #	$\Phi$
RQ2013	0.18
RQ5513	0.22
RQ8513	0.18



Part Number	"A"	Description
RQ2013	19 1/2	20-30 GAL OUTSIDE LEVERLOCK RING
RQ5513	24	55 GAL OUTSIDE LEVERLOCK RING
RQ8513	27 1/4	85-96 GAL OUTSIDE LEVERLOCK RING

MAT'L: COLD ROLLED CARBON STEEL 0.073 - 0.083 ~AFTER PAINT~ (0.076 - 0.087)	DRW LJT	CHK -	<b>UNLESS STATED OTHERWISE</b> ALL DIMENSIONS ARE IN INCHES DO NOT SCALE DRAWING DRAWING SCALE - 1:8 TOLERANCES: <table style="margin-left: 20px;"> <tr><td>X° ± 3°</td></tr> <tr><td>X/X ± 1/8</td></tr> <tr><td>X.X ± 0.2</td></tr> <tr><td>X.XX ± 0.10</td></tr> <tr><td>X.XXX ± 0.030</td></tr> </table>	X° ± 3°	X/X ± 1/8	X.X ± 0.2	X.XX ± 0.10	X.XXX ± 0.030	<b>SKOLNIK INDUSTRIES, INC.</b> 4900 SOUTH KILBOURN AVENUE, CHICAGO, IL 60632 DESCRIPTION OUTSIDE LEVERLOCK RING
	X° ± 3°								
X/X ± 1/8									
X.X ± 0.2									
X.XX ± 0.10									
X.XXX ± 0.030									
SLK DR	QA GF	REL. DATE 21-MAR-2007	PART NUM / FILENAME SEE CHART/RQ18-26 A6	REV A6					

BEST PRINTED ON B-SIZE PAPER