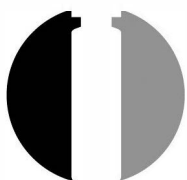


REV:040907A

GLASS TYPE	EXPANSION	GLASS COLOR	OPEN END FINISH	THREADS PER INCH	BOTTOM
Type 1 Borosilicate	51	Amber	18-400	8	Flat

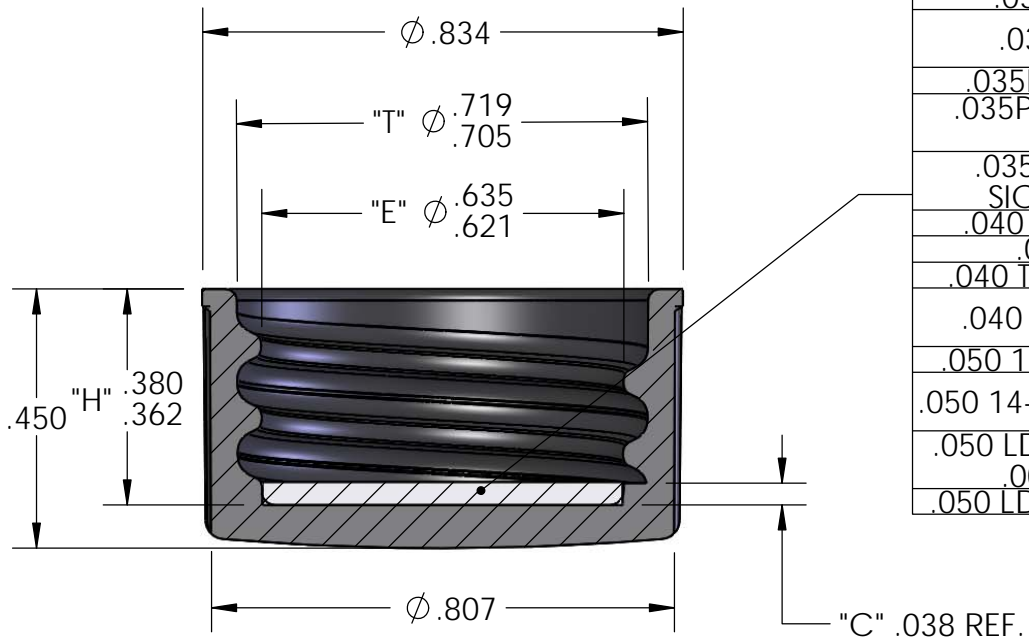


PacificVial
MANUFACTURING INC

323.721.7004
323.721.3364 FAX

ITEM #: VA182170GB

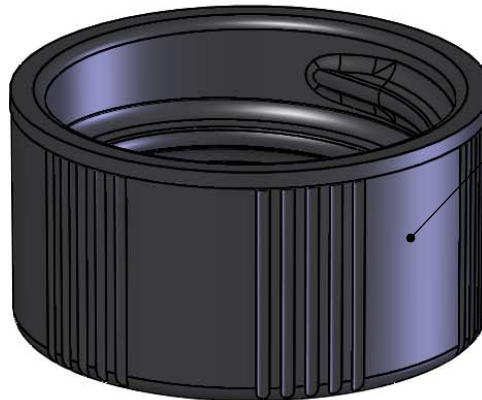
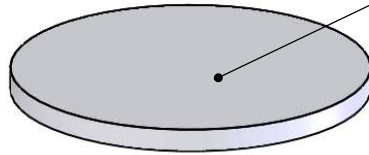
DRAWING #: VA182170GB-A-1



AVAILABLE LINERS
.035P WS-CL
.035P / AF
.035P / TF
.035P / VC-VL
.035P / VC-VL / WLF6
.035P / 250A SICOCOTE
.040 F-217 / SF
.040 PE
.040 TRI FOIL WP
.040 WLP / SF2
.050 14-B RUBBER
.050 14-B / .005 PTFE
.050 LDPE FOAM / .005 PTFE
.050 LDPE FOAM-3

SECTION A-A

SEE AVAILABLE LINERS



RS-18L-A 47118
18mm-400 FINISH-8 TPI
BLACK PHENOLIC &
GREEN OR WHITE UREA

PROPRIETARY AND CONFIDENTIAL
THE INFORMATION CONTAINED IN THIS DRAWING IS THE SOLE PROPERTY OF NATIONAL NOVELTY BRUSH CO. ANY REPRODUCTION IN PART OR AS A WHOLE WITHOUT THE WRITTEN PERMISSION OF NATIONAL NOVELTY BRUSH CO. IS PROHIBITED.

UNLESS OTHERWISE SPECIFIED:
DIMENSIONS ARE IN INCHES
TOLERANCES:
FRACTIONAL $\pm 1/16"$
ANGULAR $\pm 2"$
TWO PLACE DECIMAL $\pm .02$
THREE PLACE DECIMAL $\pm .010$

	NAME	DATE
DRAWN	SWC	12/1/2016
APPROVED	JME	12/12/2016

SCALE: 3:1

NATIONAL NOVELTY BRUSH Co
-DIV. MAUGUS MANUFACTURING-
ESTABLISHED 1916
LANCASTER, PA.

NNBC ITEM #47118