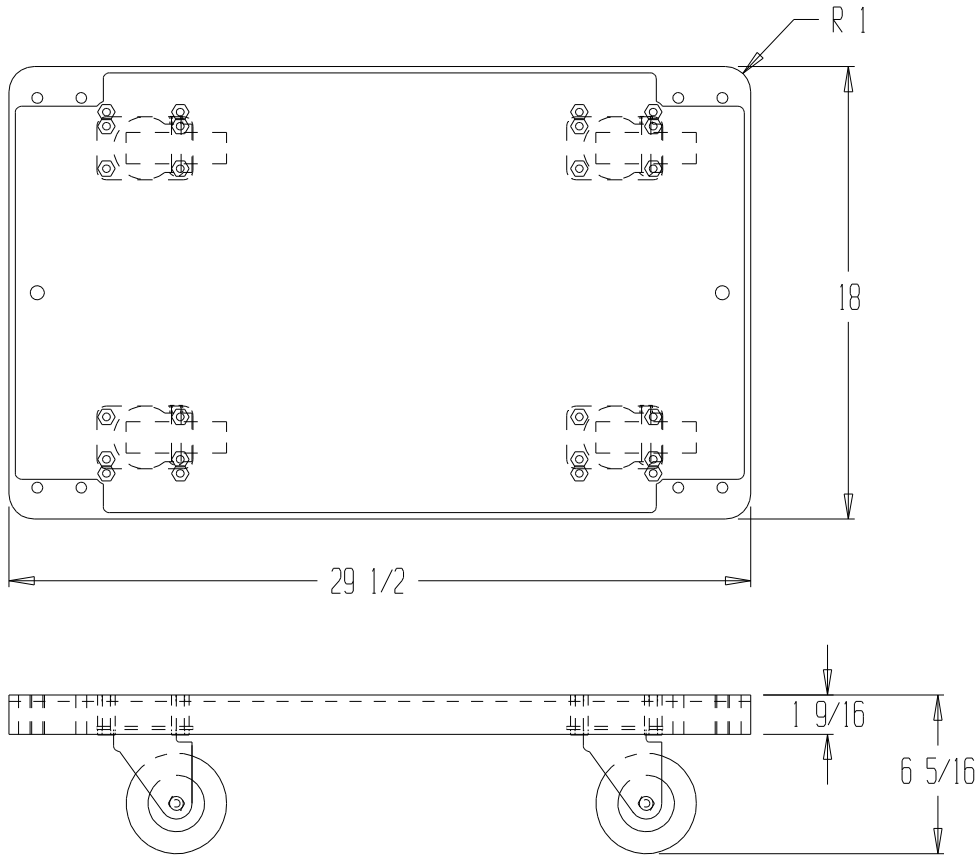


PLASTIC DOLLIES - POS - 1830



SPECIAL FEATURES

NONE

PRODUCTION WILL START UPON
RECEIPT OF SIGNED APPROVAL
DRAWING

STANDARD FEATURES

MODEL NUMBER: POS- 1830
CAPACITY: 500
OVERALL SIZE: 18" W x 29 1/2" L x 6 5/16" H
WEIGHT: 14 LBS.
COLOR: GREEN
MATERIAL: MOLDED POLYETHYLENE
POLY-ON-POLY CASTERS

APPROVAL

I, the undersigned, hereby approve this print
 As drawn As marked
 This includes my approval of design & dimensions.
 Signed: _____
 Date: _____

**SPECIAL UNITS ARE NON-RETURNABLE
 *AVAILABLE AT ADDITIONAL COSTS

DISTRIBUTOR'S NAME: VESTIL MANUFACTURING CORP.		P.O.#:
DRAWN BY: CJD		W.O.#:
DATE: 4/18/08	SALES:	
REFERENCE:	DRWG./FILE NAME: 16-007-147	
SCALE 1 : 8		