

REV.	DATE	DESCRIPTION	BY	CHKD.	APP.	QTY.	UNIT	REMARKS
1	07/27/78	ASSEMBLY						
2	08/03/78	REVISION						
3	08/03/78	REVISION						
4	08/03/78	REVISION						
5	08/03/78	REVISION						
6	08/03/78	REVISION						
7	08/03/78	REVISION						
8	08/03/78	REVISION						
9	08/03/78	REVISION						
10	08/03/78	REVISION						

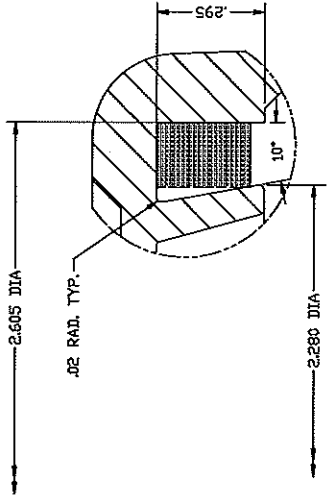
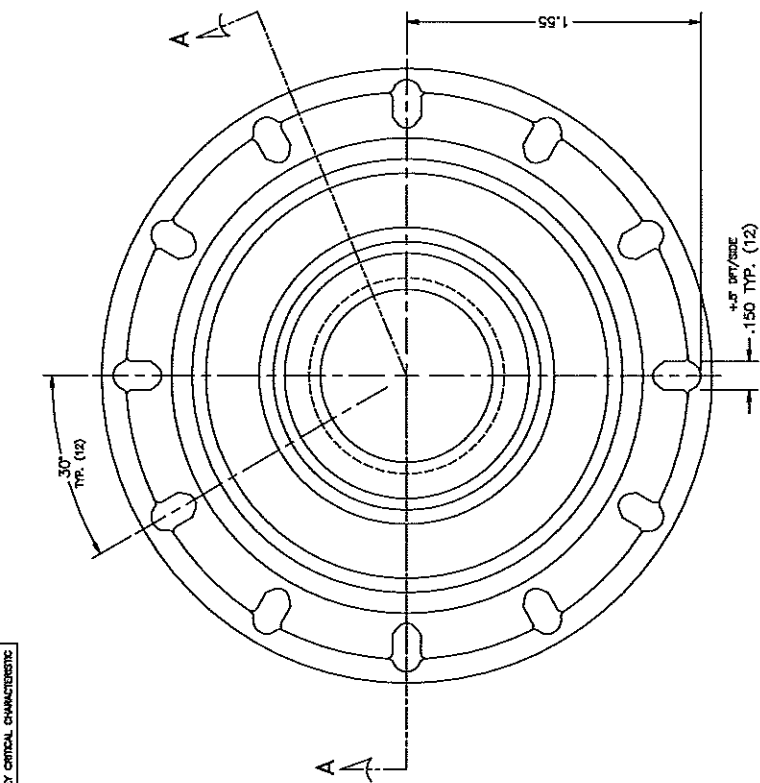
5.35 GALLON ROUND CONTAINER

REVISIONS: 7825-000

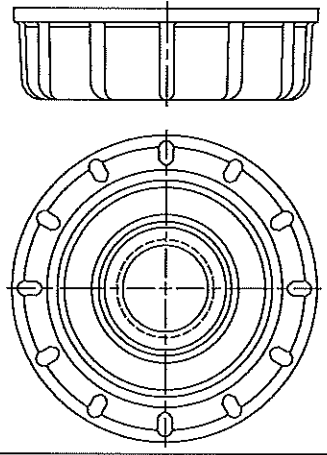
5.35 GALLON ROUND CONTAINER
 7825-000

□ LAYOUT NUMBER
 ○ CRITICAL CHARACTERISTIC
 ⊙ KEY CRITICAL CHARACTERISTIC

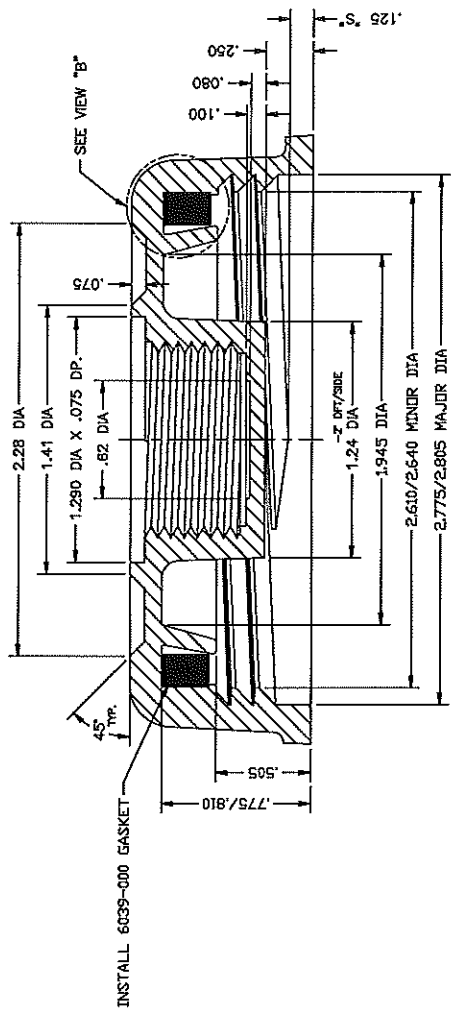
FOR REFERENCE ONLY UNLESS STAMPED OTHERWISE



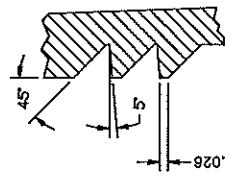
VIEW "B"
 SHOWN 4X SIZE



VIEW SHOWN ACTUAL SIZE



SECTION A-A



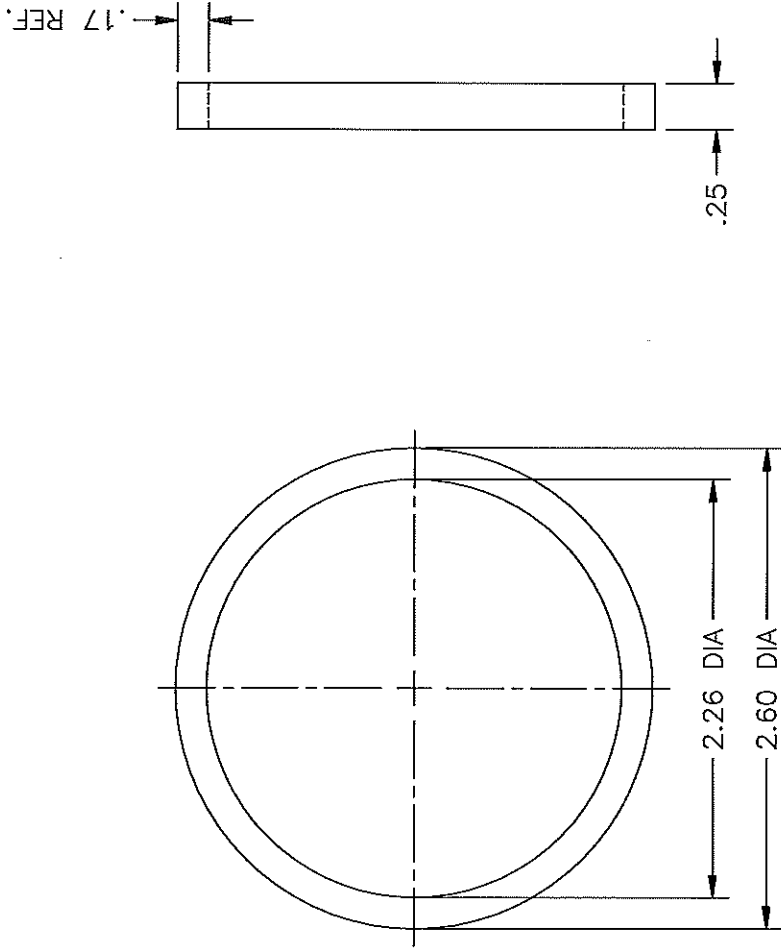
THREAD DETAIL
 SHOWN 4X SIZE

NOTES:

1. CENTER THREADS ARE 3/4-14 NPT TAPERED WITH 2° DRAG/SIDE X .50 DEEP.
2. ALL THREADS WHEN ENDED SHOULD BE WORKED TO A SMOOTH RADIUS.
3. 70MM SPECIAL NECK CLOSURE SPECS:
 - 8 THREADS PER INCH
 - 125 PITCH
4. U.V.I. ADDED TO CAP MATERIAL

DRAWN BY: KAW	DATE: 1/23/07	REVIEWED: -	500 Industrial Park Road PORTLAND, INDIANA 47371
CHECKED BY: -	DATE: -	SCALE FACTOR: 2:1	Priority Plastics
TOLERANCES UNLESS OTHERWISE SPECIFIED:	DRAWING DESCRIPTION: 70MM CAP-POLYPROPYLENE-W/ 3/4 NPT & SQUARE GASKET 6039-000 GASKET		
MATERIAL: POLYPROPYLENE Primary Material: Himont Profair 8823	ITEM NUMBER:	SHEET 1 of 1	DRAWING NUMBER: 8229-202-060
BT	DO NOT SCALE PRINT	CHANG:	8229-202-060

FOR REFERENCE ONLY UNLESS STAMPED OTHERWISE



NOTES:

1. GASKET USED IN 70MM CAP 8229-000

DRAWN BY: RFB	DATE: 2/13/97	REVISED: 12/04/01	500 Industrial Park Road PORTLAND, INDIANA 47371 260-726-7000	
CHECKED BY: -	DATE: -	SCALE FACTOR: 1:1	Priority Plastics Inc.	
TOLERANCES UNLESS OTHERWISE SPECIFIED		MATERIAL: EPDM		DRAWING DESCRIPTION: LATHE-CUT GASKET - 70MM CAP 8229-202-60 ASSY.
DO NOT SCALE PRINT			ITEM NUMBER: 6039-000	SHEET 1 OF 1
				DRAWING NUMBER: 6039-000

ECN.	DATE	BY	CHANGE
-	12/01	A	Change Tolerance on Dim