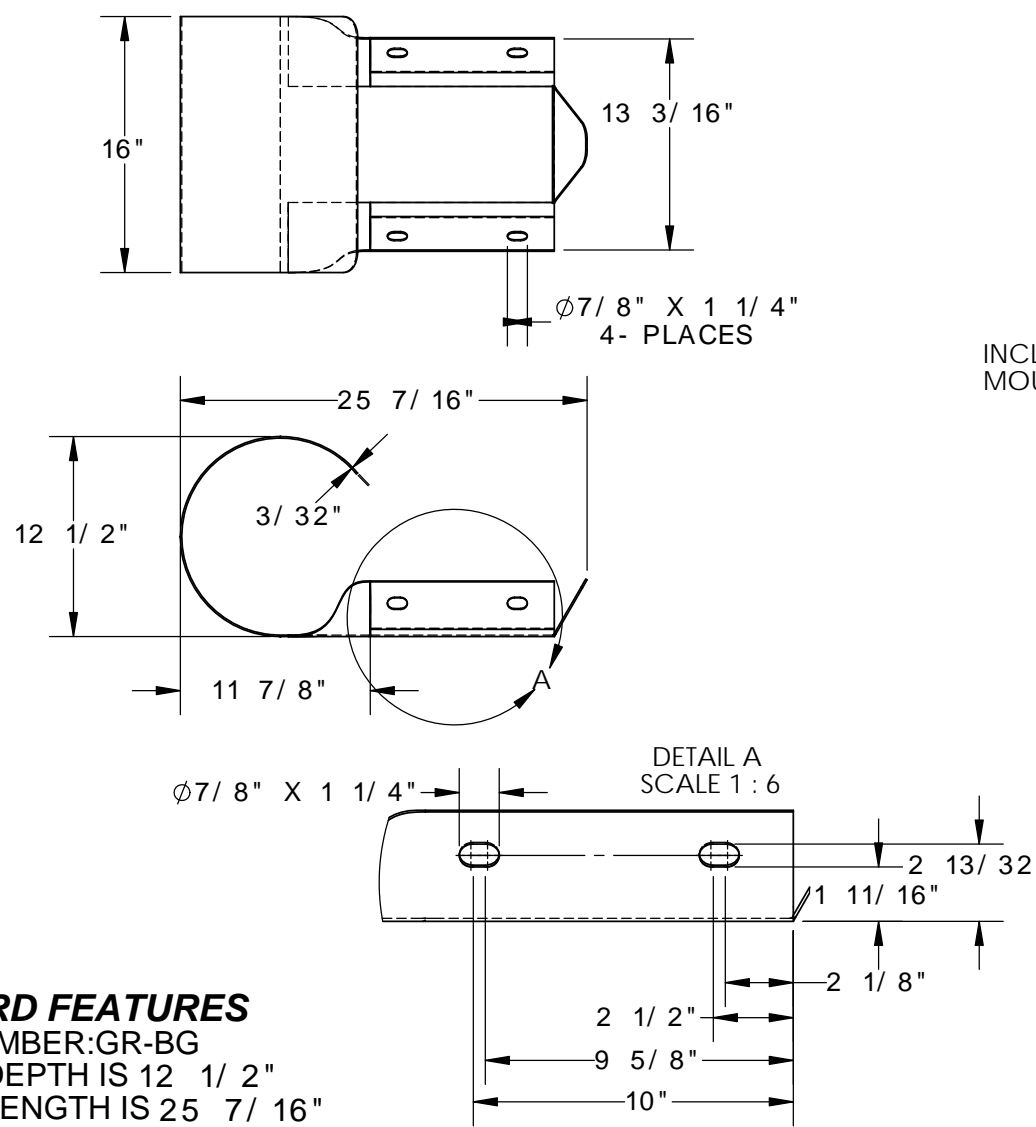


BUFFER END GUARD - GR-BG

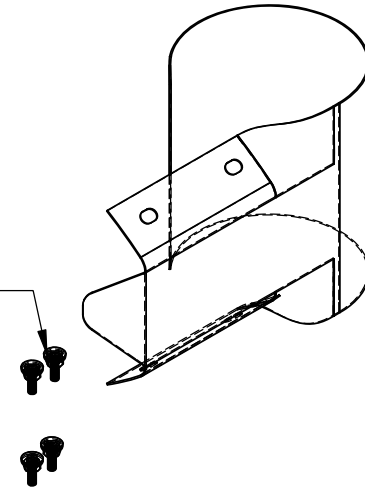
APPROX WEIGHT: 19.49 lbs.
 DOES NOT INCLUDE WEIGHT OF POWER OR PACKAGING!!!

*** ANY ADDITIONS, DELETIONS, OR OMISSIONS MUST BE CORRECTED ON THIS DRAWING AS THIS DRAWING WILL BE CONSIDERED ALL INCLUSIVE ***

ALL GRAPHICS PROVIDED ARE FOR REFERENCE ONLY. IF CERTAIN DIMENSIONS ARE CRITICAL PLEASE VERIFY THOSE DIMENSIONS WITH YOUR SALESPERSON



INCLUDED GR-KIT
MOUNTING HARDWARE



DIMENSION TOLERANCE $\pm 1/4$ "

I, THE UNDERSIGNED, AGREE THAT THE PRODUCT AS REPRESENTED SATISFIES DESIGN AND DIMENSION REQUIREMENTS. I ALSO ACKNOWLEDGE MY DUTY TO CONFIRM PRODUCT AND INSTALLATION COMPLIANCE WITH ALL APPLICABLE FEDERAL, STATE AND LOCAL REGULATIONS AND STANDARDS.

ALL SPECIAL UNITS ARE NON-RETURNABLE

[] As drawn [] As marked

Signed: _____ Date: _____

LEAD TIME WILL START UPON RECEIPT OF SIGNED APPROVAL DRAWING

STANDARD FEATURES

- MODEL NUMBER: GR-BG
- OVERALL DEPTH IS 12 1/2"
- OVERALL LENGTH IS 25 7/16"
- OVERALL HEIGHT IS 16"
- ADDS APPROXIMATELY 11 7/8" TO LENGTH OF GUARD RAIL
- MATERIAL THICKNESS IS 3/32"
- INCLUDES GR-KIT MOUNTING HARDWARE

SPECIAL FEATURES

NONE

FOR INTERNAL USE ONLY PROJECT SIGN OFF	
SALES	
ENG.	
FAB.	
POWER	

DISTRIBUTOR'S NAME:		P.O.#
VESTIL MANUFACTURING		X
W.O.#		X
DRAWN BY:	T. BRUGGEMAN	DATE: 06/16/2014
REFERENCE:	X	SCALE: 1:12
QUOTED LEAD TIME:	X	QUOTE # X
FILE NAME:	23-007-514	