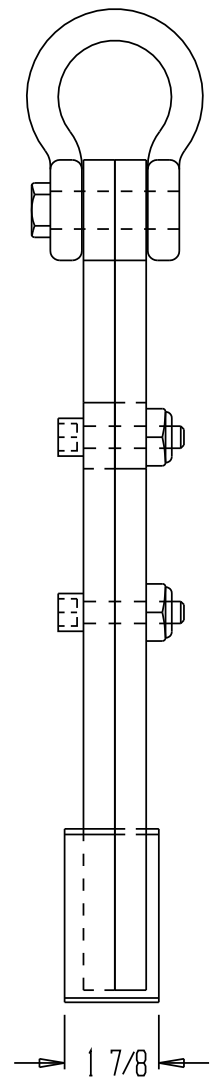
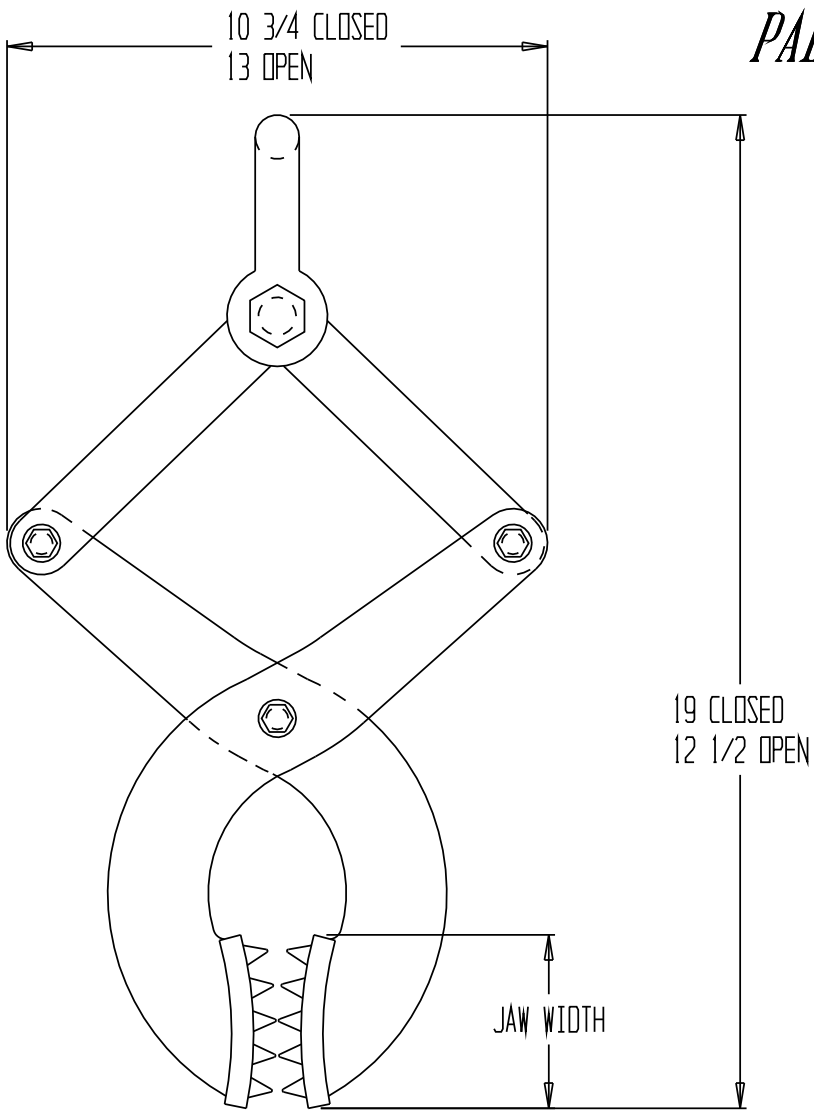


PALLET PULLER, PAL-16



LEAD TIME WILL START UPON
RECEIPT OF SIGNED APPROVAL
DRAWING

STANDARD FEATURES

- MODEL NUMBER: PAL-16
- CAPACITY: 6,000 LBS.
- CLOSED WIDTH: 10 3/4"
- OPEN WIDTH: 13"
- CLOSED HEIGHT: 19"
- OPEN HEIGHT: 12 1/2"
- JAW WIDTH: 3"
- JAW HEIGHT: 1 7/8"
- JAW OPENING: 5" (WHEN JAW IS IN OPEN POSITION)

SPECIAL FEATURES

NONE

**SPECIAL UNITS ARE NON-RETURNABLE
*AVAILABLE AT ADDITIONAL COSTS

APPROVAL

I, the undersigned, hereby approve this print
 As drawn As marked
 This includes my approval of design & dimensions.
 Signed: _____
 Date: _____

DISTRIBUTOR'S NAME:		P.O.#: -
VESTIL MANUFACTURING		W.O.#: -
DRAWN BY: SR	DATE: 11-23-04	SALES: -
REFERENCE:	DRWG./FILE NAME:	
-	SCALE: NTS	36-007-010