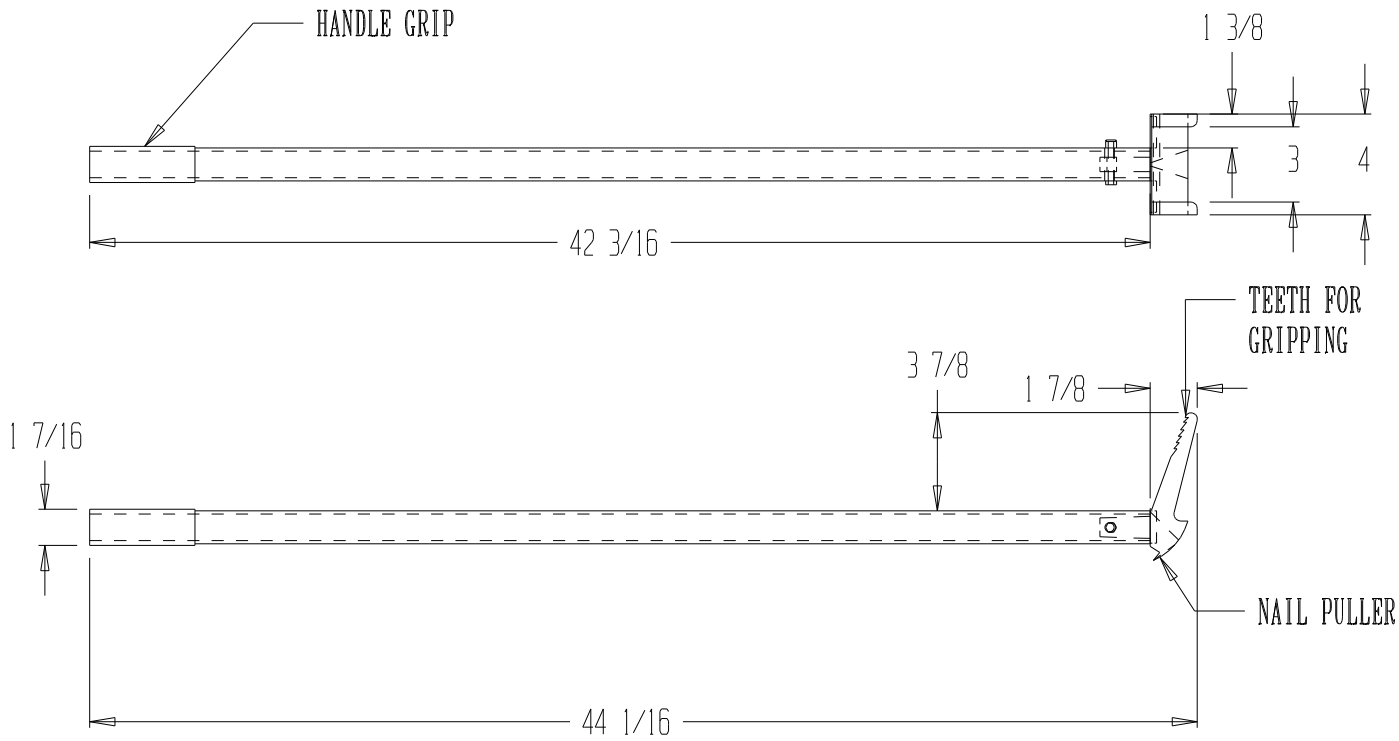


PALLET BUSTER - SKB-7



PRODUCTION WILL START UPON
RECEIPT OF SIGNED APPROVAL
DRAWING

STANDARD FEATURES

MODEL NUMBER: SKB-7
 OVERALL SIZE: 44 1/16"W x 4"H
 MATERIAL: ALUMINUM
 COLOR: SILVER
 TEETH FOR GRIPPING
 NAIL PULLER
 SPECIAL FEATURES
 NONE

**SPECIAL UNITS ARE NON-RETURNABLE
 *AVAILABLE AT ADDITIONAL COSTS

APPROVAL

I, the undersigned, hereby approve this print
 As drawn As marked
 This includes my approval of design & dimensions.
 Signed: _____
 Date: _____

DISTRIBUTOR'S NAME: VESTIL MANUFACTURING CORP.		P.O.#:
DRAWN BY: CD		W.O.#:
DATE: 1-17-08		SALES:
REFERENCE:	SCALE 1 : 8	DRWG./FILE NAME: 30-007-040