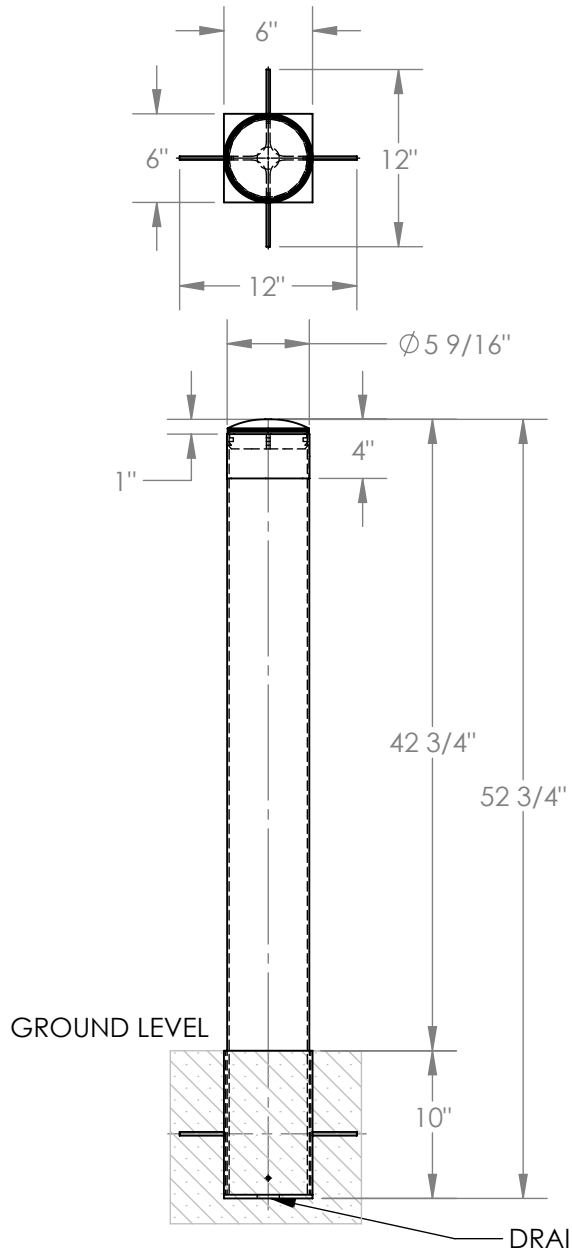


REMOVABLE BOLLARD - BOL-R-42-5.5

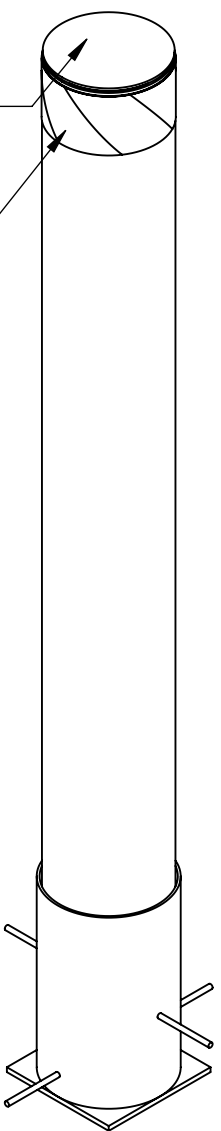
APPROX WEIGHT: 43.03 lbs.
 DOES NOT INCLUDE WEIGHT OF POWER OR PACKAGING!!!

ANY ADDITIONS, DELETIONS, OR OMISSIONS MUST BE CORRECTED ON THIS DRAWING AS THIS DRAWING WILL BE CONSIDERED ALL INCLUSIVE



STANDARD REMOVABLE
 BLACK TOP CAP

STANDARD
 BLACK/YELLOW
 SAFETY TAPE



| | |
|---|--|
| FOR INTERNAL USE ONLY PROJECT SIGN OFF | |
| SALES | |
| ENG. | |
| FAB. | |
| POWER | |

ALL GRAPHICS PROVIDED ARE FOR REFERENCE ONLY. IF CERTAIN DIMENSIONS ARE CRITICAL PLEASE VERIFY THOSE DIMENSIONS WITH YOUR SALESPERSON

DIMENSION TOLERANCE +/- 1/4

STANDARD FEATURES

- MODEL NUMBER IS BOL-R-42-5.5
- BOLLARD DIAMETER: $\phi 5 \frac{9}{16}$ "
- OVERALL HEIGHT IS 52 $\frac{3}{4}$ "
- USABLE HEIGHT IS 42 $\frac{3}{4}$ "
- OVERALL WIDTH: 12"
- SLEEVE BASE: 6"W x 6"L
- SLEEVE HEIGHT: 10"
- TOUGH BAKED IN POWDER COATED YELLOW FINISH
- YELLOW/BLACK HAZARD TAPE

SPECIAL FEATURES

NONE

| | | |
|---|--|--|
| APPROVAL | I, THE UNDERSIGNED, AGREE THAT THE PRODUCT AS REPRESENTED SATISFIES DESIGN AND DIMENSION REQUIREMENTS. I ALSO ACKNOWLEDGE MY DUTY TO CONFIRM PRODUCT AND INSTALLATION COMPLIANCE WITH ALL APPLICABLE FEDERAL, STATE AND LOCAL REGULATIONS AND STANDARDS. | |
| | ANY MODIFIED UNITS ARE NON-RETURNABLE | |
| | [] As drawn [] As marked | |
| | Signed: _____ Date: _____ | |
| Printed Name: _____ | | |
| <i>LEAD TIME WILL START UPON RECEIPT OF SIGNED APPROVAL DRAWING</i> | | |

| | | |
|-----------------------------|-------------|------------|
| DISTRIBUTOR'S NAME: | | P.O.# |
| VESTIL MANUFACTURING | | X |
| | | W.O.# |
| DRAWN BY: TJM | | X |
| DATE: 04/10/14 | | SALES: X |
| REFERENCE: X | SCALE: 1:13 | FILE NAME: |
| QUOTED LEAD TIME: X | QUOTE # X | 23-007-208 |